

A yellow New Holland wheel loader is shown in a quarry setting, dumping a load of large grey rocks. The loader's bucket is raised, and a cloud of dust is rising from the pile of rocks. The background shows a clear blue sky with scattered white clouds. The loader has "NEW HOLLAND" written on its side and "2709" on the rear.

EAT•N

Char-Lynn

VersaSteer™ Technology

Steering Control Units

Series 10

Series 20

Char-Lynn®



Better Products. Better Choices. Better Quality. Better Support.

Eaton Char-Lynn has been in the steering business for decades. In fact, we invented hydraulic steering solutions and continue to be today's leader, with millions of units distributed and millions of satisfied customers. A few things haven't changed in the decades we've led this industry: our ability to maintain a staff of the best engineers in the industry and our ongoing commitment to every customer. It's this commitment that results in **better products**.

We're responsive, using your feedback to create superior steering systems. This customer orientation is the reason we offer **better choices**. We have the most comprehensive product line. And, within each product family, we offer more options. More options mean you get just the steering solution you need. It's also the reason we offer **better quality**. We care about your business and building lifelong relationships. We know you will be using our products for a long time. And, we want that experience to be good. So you keep coming back. We treat each product and each application as a new project, a new challenge, which means we provide **better support**. We're more than a component sales organization. We sell systems. And, we think it's important to make sure our products work the way they are supposed to. The way you expect them to.

Revolutionary

Revolutionary

Revolutionary

Revolutionary



Eaton's patented **VersaSteer™** technology provides the functionality of operator selectable dual steering systems/modes with one integrated steering control unit. An Eaton Series 10 or 20 steering control unit equipped with **VersaSteer** technology, dramatically increases productivity and operator satisfaction, while reducing fatigue and effort (up to 95%).

Benefits

- Provides steering system cost savings by eliminating the need for a separate joystick system.
 - Same function is accomplished with the steering wheel by selecting "Quick Steer".
- Increases operator satisfaction and productivity
 - Reduces operator fatigue and effort, as the amount of wheel turning will be greatly reduced for aggressive turns. Operators can now do their job more efficiently, with less physical strain.
- Easy to operate

Target Platforms

- Articulated Wheel Loaders
- Telehandlers
- Log Skidders
- Tractors
- Articulated Dump Trucks
- Sweepers
- Graders
- Pavers

Features

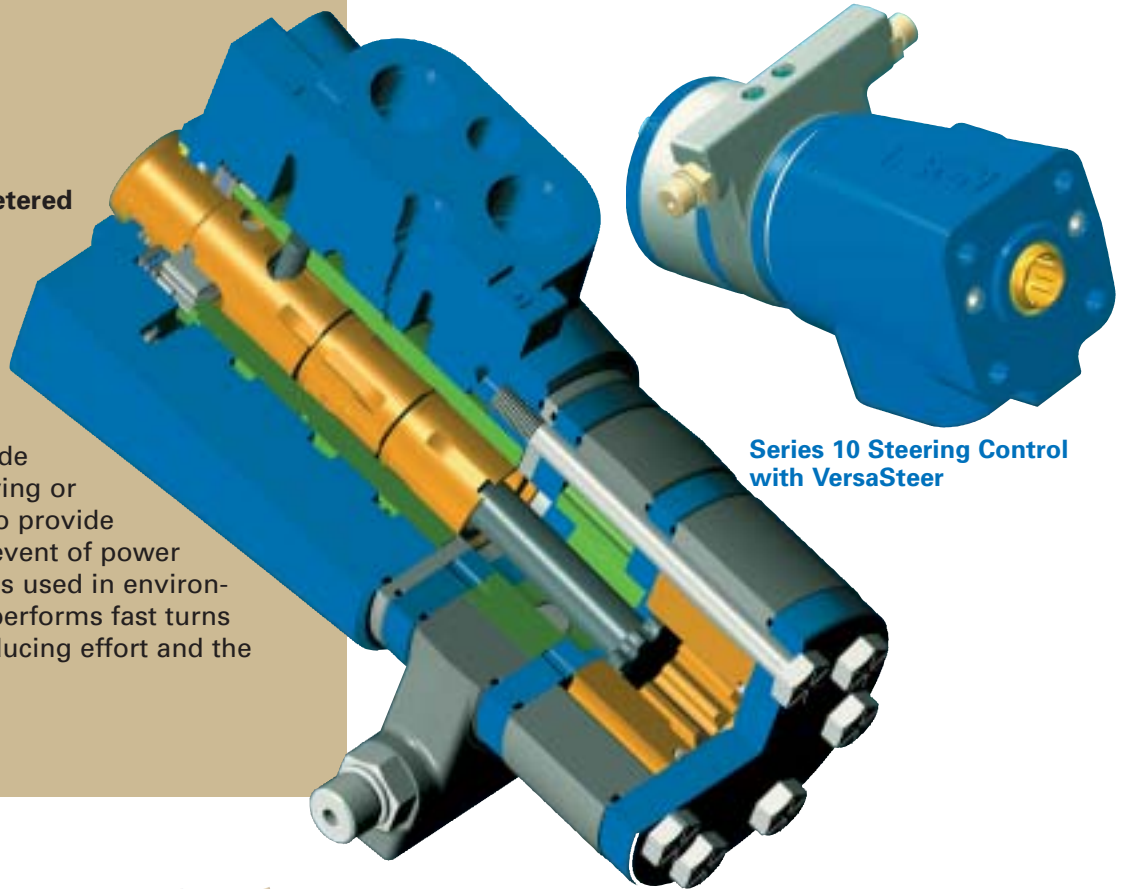
- Dual steering modes in one integrated Steering Control Unit (SCU)
 - Operator selects "Metered Steering" (traditional hydrostatic steering) or "Quick Steering" (gerotorless).
- Compact and versatile design for tight space constraints
- High pressure rating and flow capabilities
- Compatible with current steering options
- Easily retrofit to existing vehicles
- Proven base technology
 - **VersaSteer** technology uses the industry proven Eaton Series 10 and Series 20 steering control unit architecture and takes it a step further to bring this innovative technology to the marketplace.
- Easy one-touch switch

Versatile

Versatile Versatile Versatile

Why VersaSteer?

Dual operator-selectable **Metered** and **Quick Steering** modes in one compact steering control unit. These modes provide the operator the flexibility to dramatically improve productivity and the overall steering experience. **Metered Steering** mode can be used for normal driving or roading. This mode can also provide emergency steering in the event of power loss. **Quick Steering** mode is used in environments where the operator performs fast turns repeatedly, dramatically reducing effort and the work cycle.



Series 10 Steering Control with VersaSteer

For Repeated Fast Turns...



Efficient

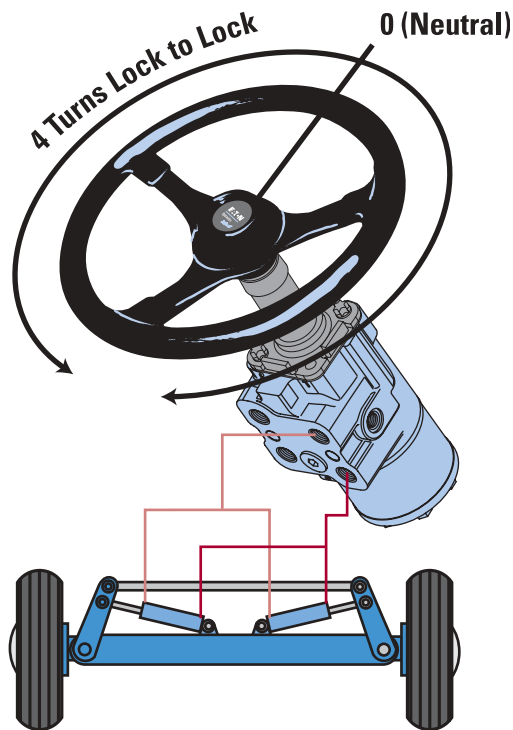
Efficient

Efficient

Efficient

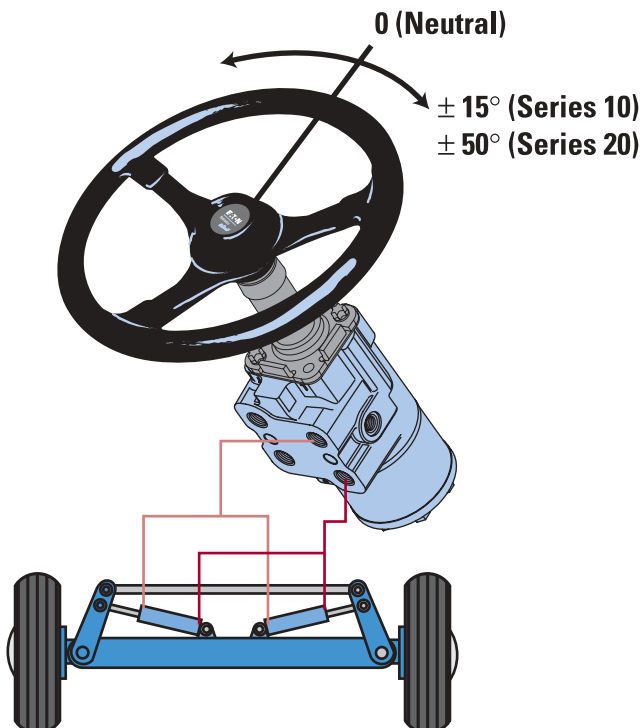
Metered Steering

The steering unit operates the same as a traditional hydrostatic steering control unit. Steering (flow) is a function of steering wheel rotations. Metered steering provides precise, responsive and smooth steering due to the wide-angle feature (Series 20) specifically designed for articulated vehicles. This increased deflection reduces gain, resulting in reduced acceleration and jerks.



Quick Steering

This mode produces a stunning effect, enabling the operator to put the vehicle in full lock while only turning the steering wheel a few degrees in either direction. It provides the impression of being more maneuverable. This mode functions by blocking the flow of hydraulic oil to the gerotor with a directional valve. Steering is accomplished by deflecting only the spool, and steering speed (flow) is a function of steering wheel angle. Deflecting the steering wheel ($\pm 15^\circ$ for Series 10 and $\pm 50^\circ$ for Series 20) in this mode results in controlled flow, from zero to full steering flow.



Articulated Dump Truck



Motor Grader



Tractor



Telescopic Handler

Eaton
14615 Lone Oak Road
Eden Prairie, MN 55344
USA
Tel: 952 937-9800
Fax: 952 974-7722
www.hydraulics.eaton.com

Eaton
20 Rosamond Road
Footscray
Victoria 3011
Australia
Tel: (61) 3 9319 8222
Fax: (61) 3 9318 5714

Eaton
Dr.-Reckeweg-Str. 1
D-76532 Baden-Baden
Germany
Tel: +49 (0) 7221 682-0
Fax: +49 (0) 7221 682-788

Char-Lynn®



Char-Lynn

© 2004 Eaton Corporation
All Rights Reserved
Printed in USA
Document No. C-STCU-MR003-E
March 2004