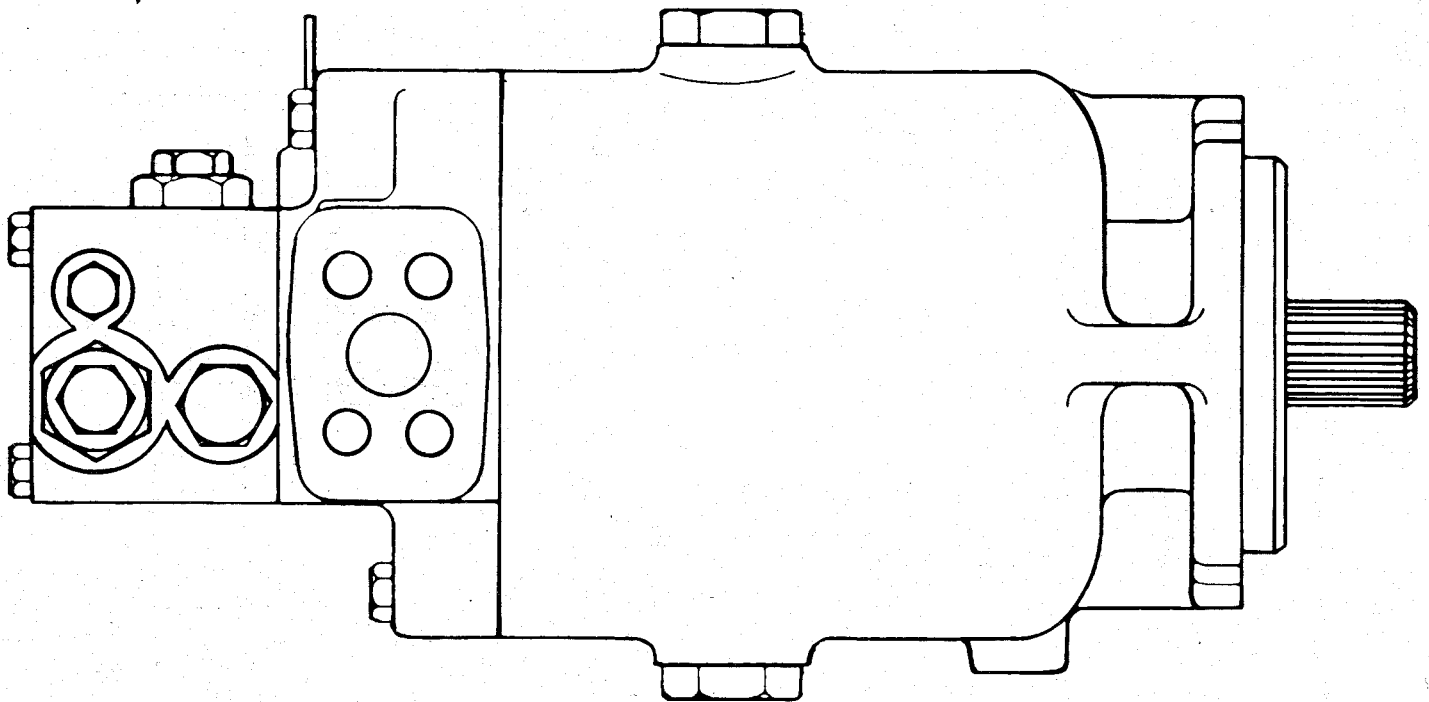


**Eaton
Hydraulics
Division**

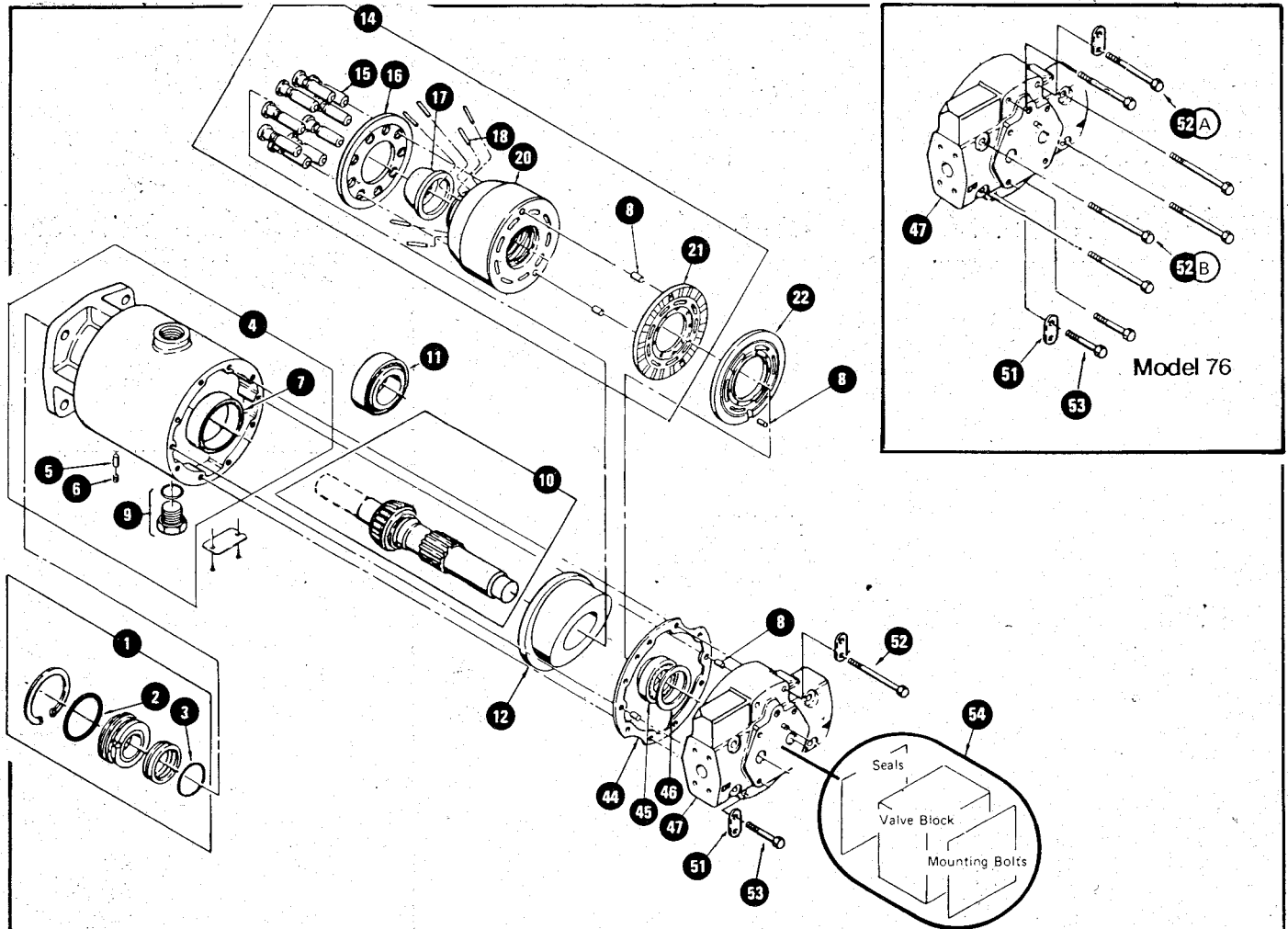
Parts Information

**Hydrostatic Fixed Motors –
Models 33 thru 76 Ball Guide Units**



EATON

PARTS DRAWING



Drive Shaft Matrix		Ref. No. 10			
Description	Model 33	Model 39	Model 46	Model 54	Model 76
13T	—	—	—	—	101832
14T	101054	101054	101058	101062	—
19T	105082	101582	—	—	—
21T	101117	101117	101119	101121	—
23T	—	—	—	101174	—
27T	—	—	—	—	102319
1-3/8 Tapered	—	—	—	101164	—
1-1/2 Str.Key	101531	101531	101535	101539	—
1-3/4 Str.Key	—	—	—	—	102304

- 101540 3/8 Square Key (for 1 1/2 Straight Keyed Shaft)
- 102305 7/16 Square Key (for 1 3/4 Straight Keyed Shaft)
- 101317 Woodruff Key (for 1 3/8 Tapered Shaft)
- 96898 Slotted Nut (for 1 3/8 Tapered Shaft)

PARTS LIST

Ref. No.	Description	Qty	Model 33	Model 39	Model 46	Model 54	Model 76
1	Kit, Shaft Seal	1	990231-000	990231-000	990231-000	990231-000	990195
2	O-ring	1	8761-145	8761-145	8761-145	8761-145	8761-239
3	O-ring	2	104166-131	104166-131	104166-131	104166-131	104166-138
4	S/A, Housing	1	102443	102443	102434	102436	102430
5	Dowel	1	95904-100	95904-100	95904-100	95904-100	95905-125
6	Plug, Socket Pipe	1	95653-012	95653-012	95653-012	95653-012	95653-025
7	Cup, Bearing	1	96795	96795	96795	96795	95791
8	Dowel	3	98202	98202	98202	98202	98202
9	S/A, O-ring Plug	1	25090-012	25090-012	25090-012	25090-012	25090-012
10	S/A, Drive Shaft	1	*	*	*	*	*
11	Bearing Kit, Mtg. Flange	1	990020	990020	990020	990020	990056
12	S/A, Swashplate	1	101046	101033	101034	101035	102428
14	Kit, Rotating Group	1	101697	101697	101698	103046	101786
15	S/A, Piston Slipper	9	101073	101073	101075	101077	101788
16	Plate, Slipper Retaining	1	102678	102678	102679	102680	102681
17	Guide, Slipper Retainer	1	101096	101096	101092	101085	101787
18	Dowel, Cylinder Barrel	6	101082	101082	101083	101084	101798
20	Kit, Cylinder Barrel	1	990421	990421	990422	990423	990424
21	Plate, Bearing	1	101049	101049	101050	101051	101794
22	Plate, Valve	1	103230	102790	102625	102793	101823
44	Gasket, End Cover	1	8734	8734	8857	103042	101778
45	Kit, End Cover Bearing	1	990014	990014	990015	990016	990057
46	Shim Kit, End Cover	1	990017	990017	990018	990019	990058
47	End Cover	1	*	*	*	*	*
51	Strap, Shipping	2	96558	96558	96559	96559	101822
52	Bolt, End Cover	6	103090-275	103090-275	103091-275	103091-300	—
52 A	Bolt, End Cover	2	—	—	—	—	103092-325
52 B	Bolt, End Cover	4	—	—	—	—	103092-375
53	Bolt, End Cover	2	103090-150	103090-150	103090-150	103091-200	103092-200
54	Option, Valve Block	1	**	**	**	**	**

* See charts below and on opposite page for specific part numbers.

** See separate parts list for specific part number.

End Cover Matrix		Ref.No. 47				
Description	Model 33	Model 39	Model 46	Model 54	Model 76	
Main Ports						
1 inch Code 61	101021	101021	101023	101022	103021	
1 inch Code 61 w/Pressure Tap	—	—	—	102846	—	
1 inch Code 62	101957	101957	102109	101323	103022	
1 inch Code 62 w/Pressure Tap	—	—	—	105209	—	
1 inch O-ring	101489	101489	102235	101494	—	

Code 61 - SAE Code 61, Split Flange, 3000 PSI, Drilled and Tapped for 3/8-16 UNC 2B Thread Bolt

Code 62 - SAE Code 62, Split Flange, 6000 PSI, Drilled and Tapped for 7/16-14 UNC 2B Thread Bolt

HOW TO ORDER
REPLACEMENT PARTS

EACH ORDER MUST INCLUDE
THE FOLLOWING INFORMATION

1. Product Number
2. Date Code
3. Part Name
4. Part Number
5. Quantity of Parts

Eaton Corporation **Hydraulics Division** 15151 Highway 5, Eden Prairie, MN 55344 Telephone (612) 937-9800

Eaton G.m.b.H. **Hydraulics Division** ☒ 100 410 • D-5620 Velbert 1 West Germany ☎ 49-2051-2070

EATON

Printed in U.S.A.

FORM NO. 6-138
SEPTEMBER, 1988