

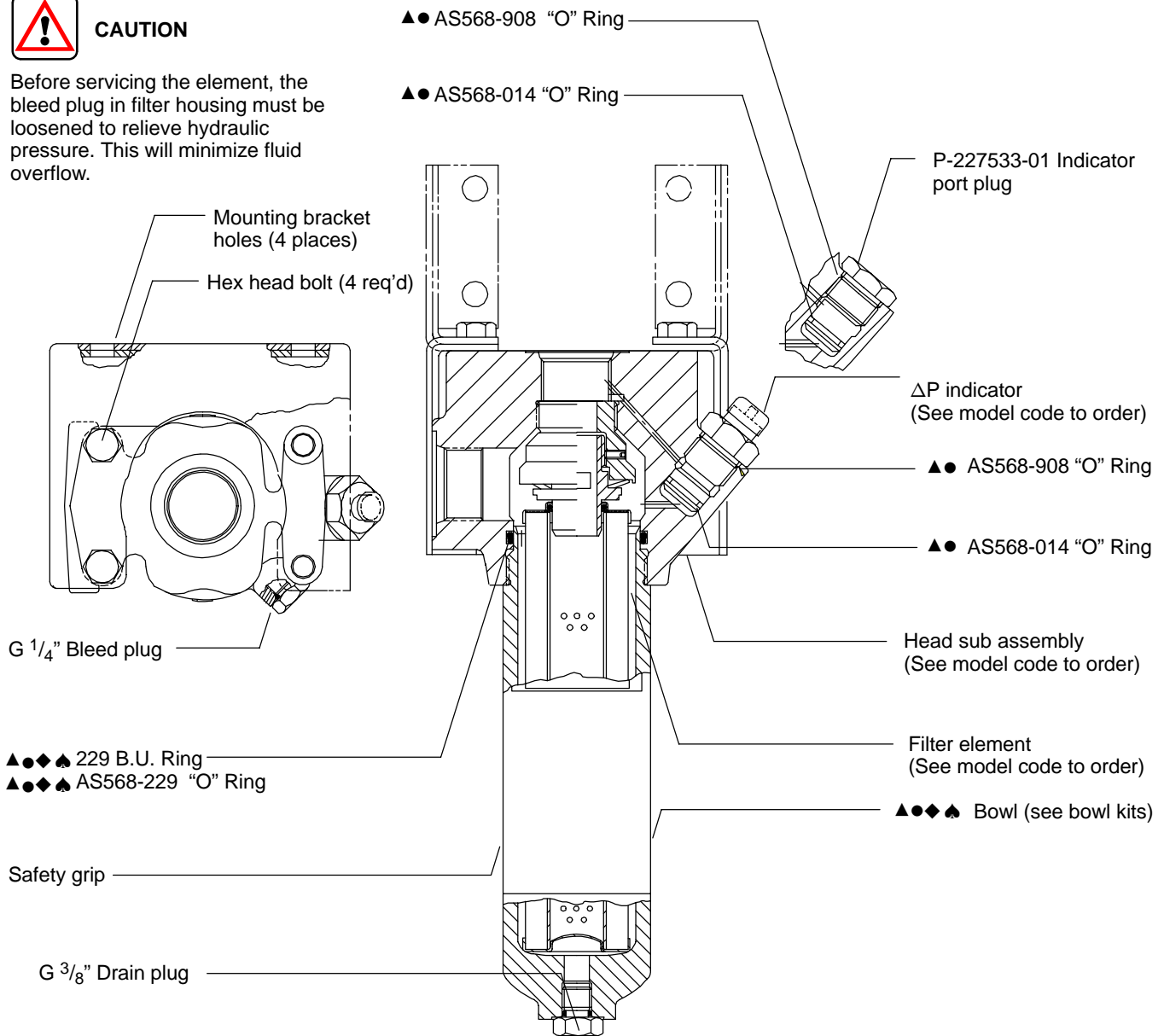
M610 Series High Performance High Pressure Filter

Flows to 208 L/min 414 bar



CAUTION

Before servicing the element, the bleed plug in filter housing must be loosened to relieve hydraulic pressure. This will minimize fluid overflow.

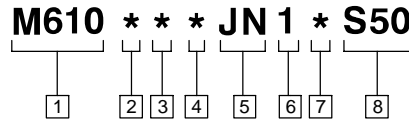


NOTE: Bowl kits contain Buna-N seals, to order Viton seals, replace **B** in part number with a **V**.
 Example:
 From: P-133238-01**B**, for Buna.
 To: P-133238-01**V**, for Viton.

- ▲ Included in seal kit P-427466-04 Buna
- Included in seal kit P-427466-06 Viton
- ◆ Included in 4" Bowl kit P-133238-01B
- ◆ Included in 8" Bowl kit P-133238-02B

Bowl kits contain (Bowl, "O" Ring, & Ring holder).

Head Sub Assembly Model Code



1 Filter series

M610

2 Element collapse rating

1 – 10 bar
4 – 210 bar (H-pak only)

3 Port option

B – G 1 to ISO 228
S – Subplate mounting

4 Valve option

1 – Non-bypass
4 – Bypass set at $3,5 \pm 0,35$ bar cracking pressure
6 – Bypass set at $6 \pm 0,7$ bar cracking pressure

5 Δ P indicator & receptacle options
First designator (Indicator type)

J – No Δ P indicator.

Second designator (Electrical receptacle)

N – No receptacle – Use with visual Δ P indicator.

6 Brackets (P-426225-01)

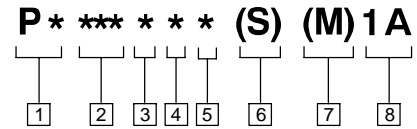
1 – No bracket

7 Seal material

B – Buna-N
V – Viton-A

8 S50 Head sub assembly

Differential Pressure Indicator Model Code



1 Style option

PV – Visual
PE – Electrical
PD – Electrical/Visual

2 Actuation pressure option

015 – 15 ± 4 PSID ($1 \pm 0,3$ bar)
035 – 35 ± 5 PSID ($2,4 \pm 0,35$ bar)
070 – 70 ± 7 PSID ($4,8 \pm 0,5$ bar) (not an option with 330/340 filters)
090 – 90 ± 10 PSID ($6,2 \pm 0,7$ bar) (330/340 filters only)
100 – 100 ± 12 PSID ($6,9 \pm 0,85$ bar)

3 Thermal lockout option

N – No thermal lockout
T – Thermal lockout
standard TLO= $80 \pm 20^\circ$ F ($27 \pm 11^\circ$ C)

4 Seal option

1 – Buna-N
2 – Viton

5 Receptacle option

B – 5-pin Brad Harrison (41512) (not an option with visual indicator)
H – Hirschman (DIN 43650) (not an option with visual indicator)
N – No receptacle (use with visual indicator)

6 Surge control option

None – No surge control
S – Surge control (not an option with 330/340 filters)

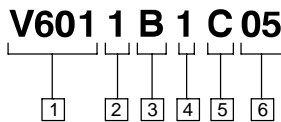
7 Filter series option

None – Standard
M – 330/340 Series filters only

8 Revision level

1A – Original design series (1) and revision (A)

Element Model Code



1 Filter element

V601 - For use with 610 & 360 series filters

2 Element collapse rating

1 – 10 bar
4 – 210 bar (H-pak only)
NOTE: 1 use only with bypass valve

3 Seal material

B – Buna-N
V – Viton-A

4 Bowl length mm Element length mm

1 – 165 102
2 – 259 203

5 Element construction

C – C-pak (grade 3, 5, 10)
H – H-pak (grade 3, 10)

6 Fluid cleanliness ratings

Code	Fluid cleanliness level
03	16/14/12 or better
05	18/16/14 or better
10	20/18/15 or better

The table above assumes limited ingestion and a single pass of pump flow through the element. For more detailed information, please consult Vickers Guide to Systemic Contamination Control or contact your local Vickers Distributor.

Element Dimensions mm (in.)

