

# Vickers™ Filters



## Service Data

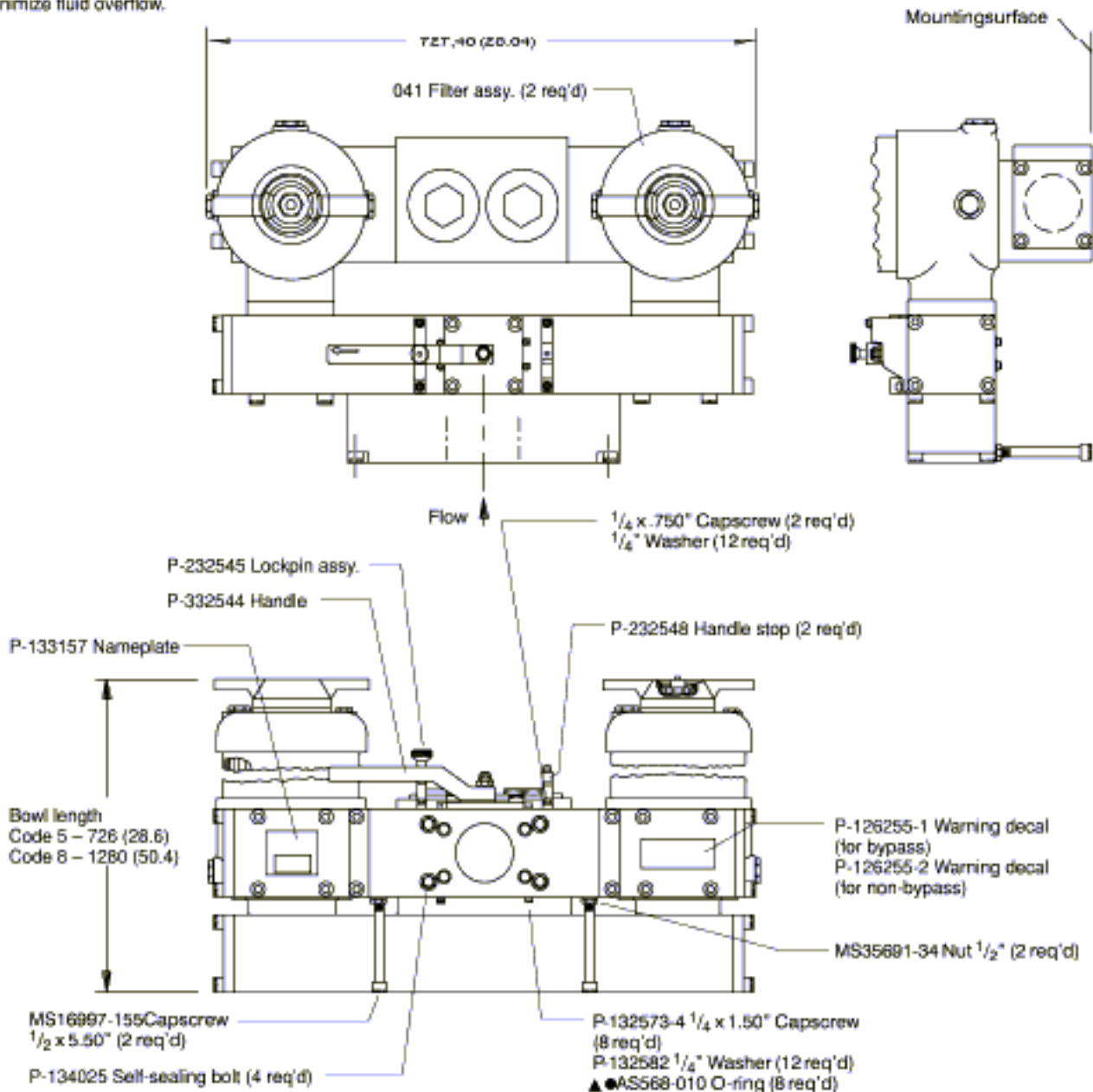
### L042 Series Low Pressure Filter

Flows to 1135 L/min (300 USgpm)

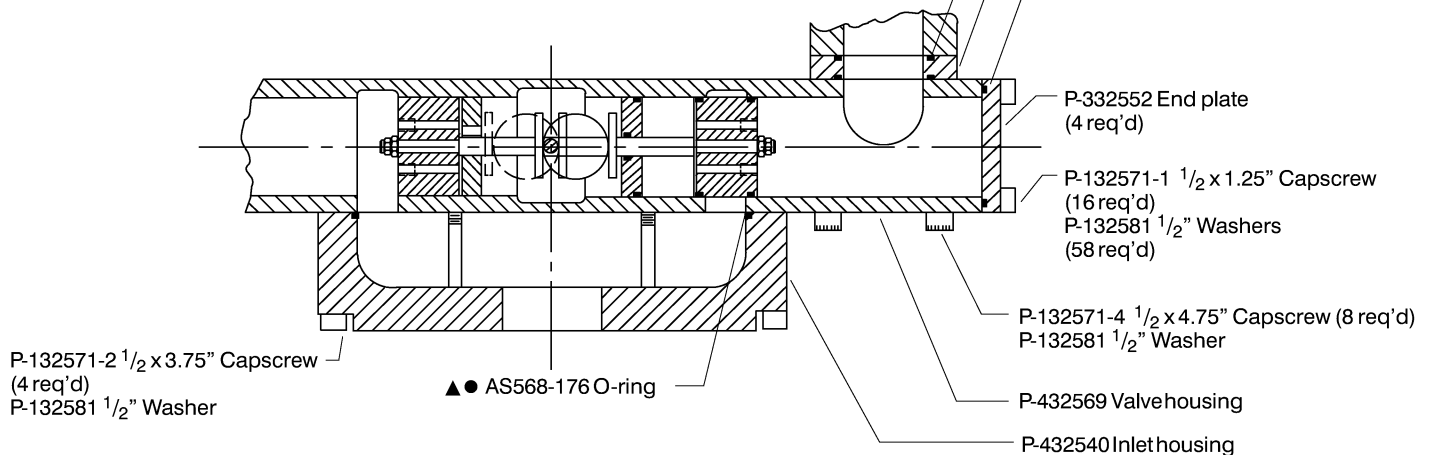
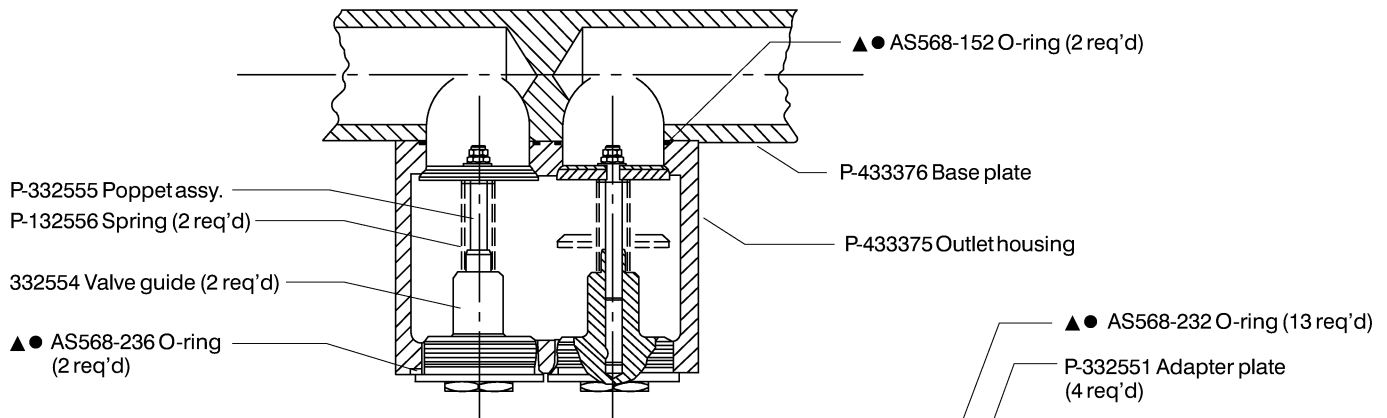
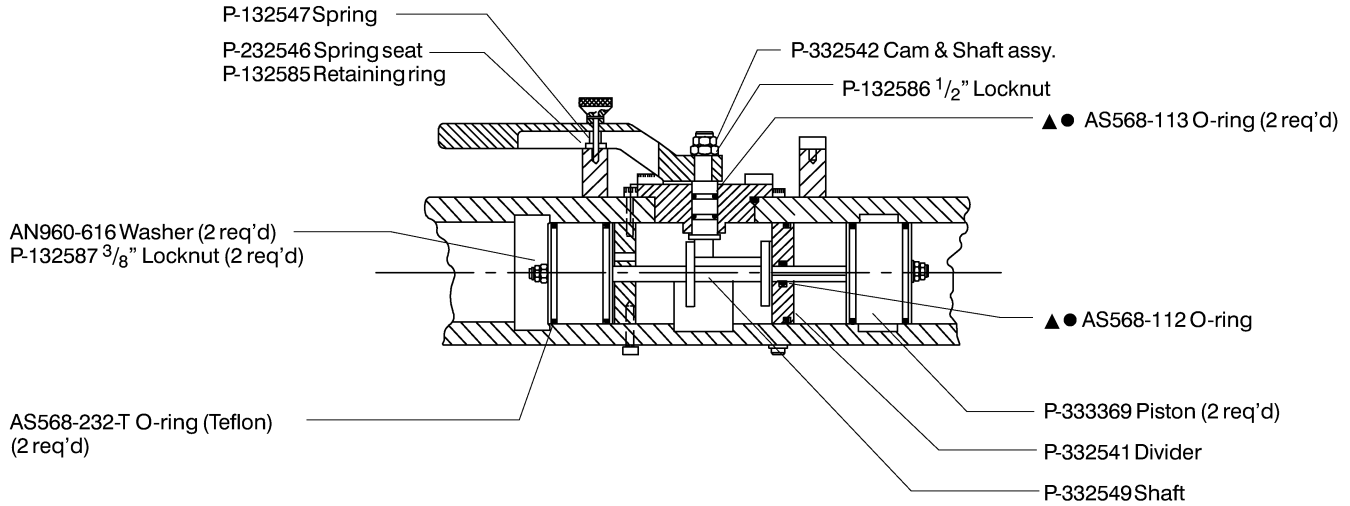
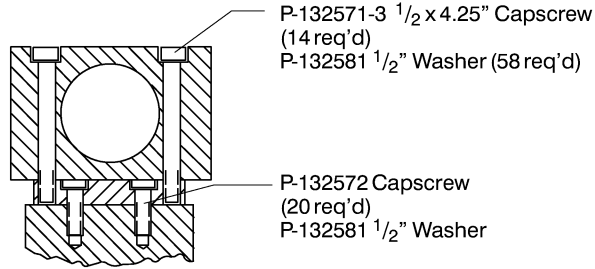
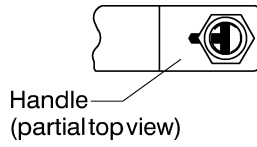


#### CAUTION

Before servicing the element, the bleed plug in filter housing must be loosened to relieve hydraulic pressure. This will minimize fluid overflow.



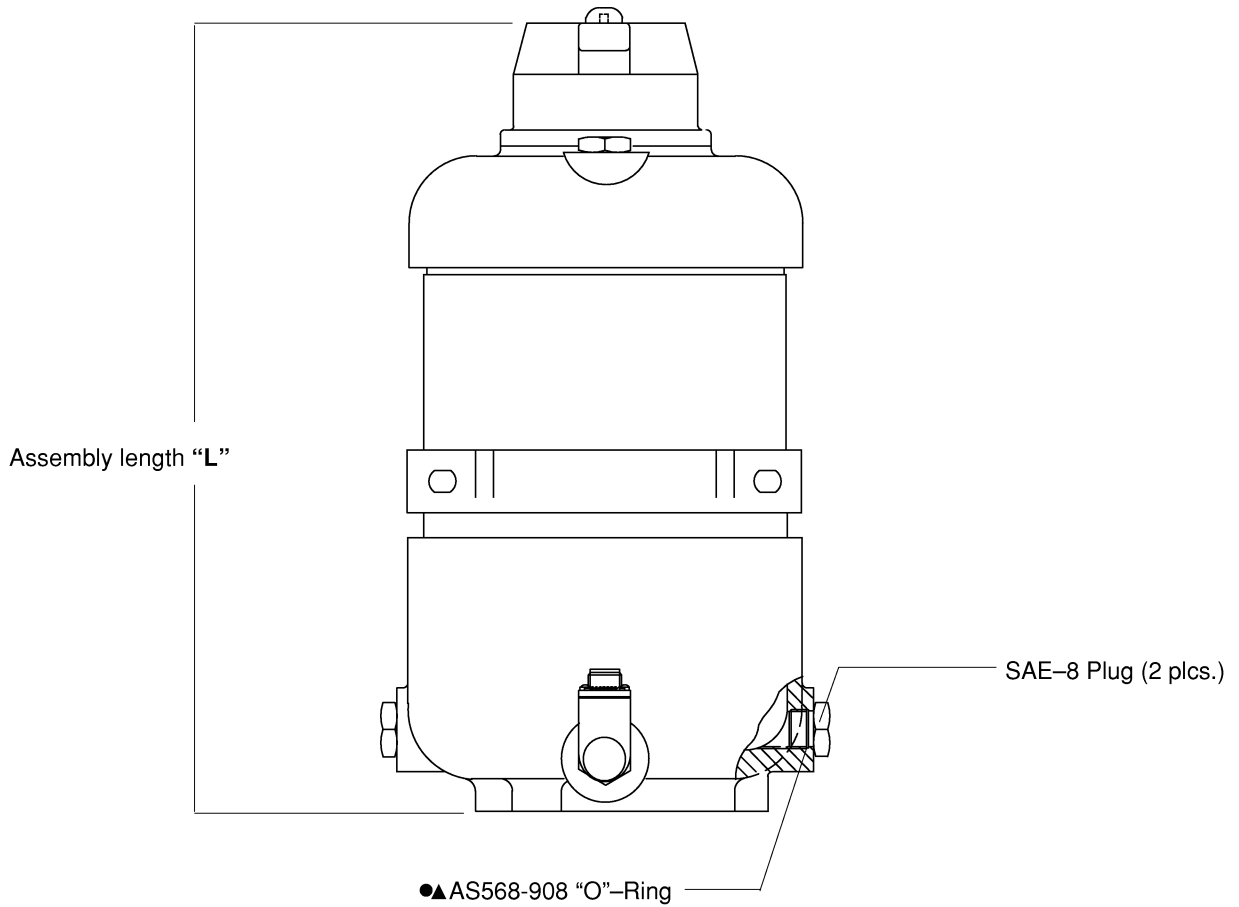
- Bowl kits contain (Bowl, "O" Ring, & Ring holder)
- ▲ Included in seal kit P-427486-40 Buna Included
  - in seal kit P-427486-42 Viton



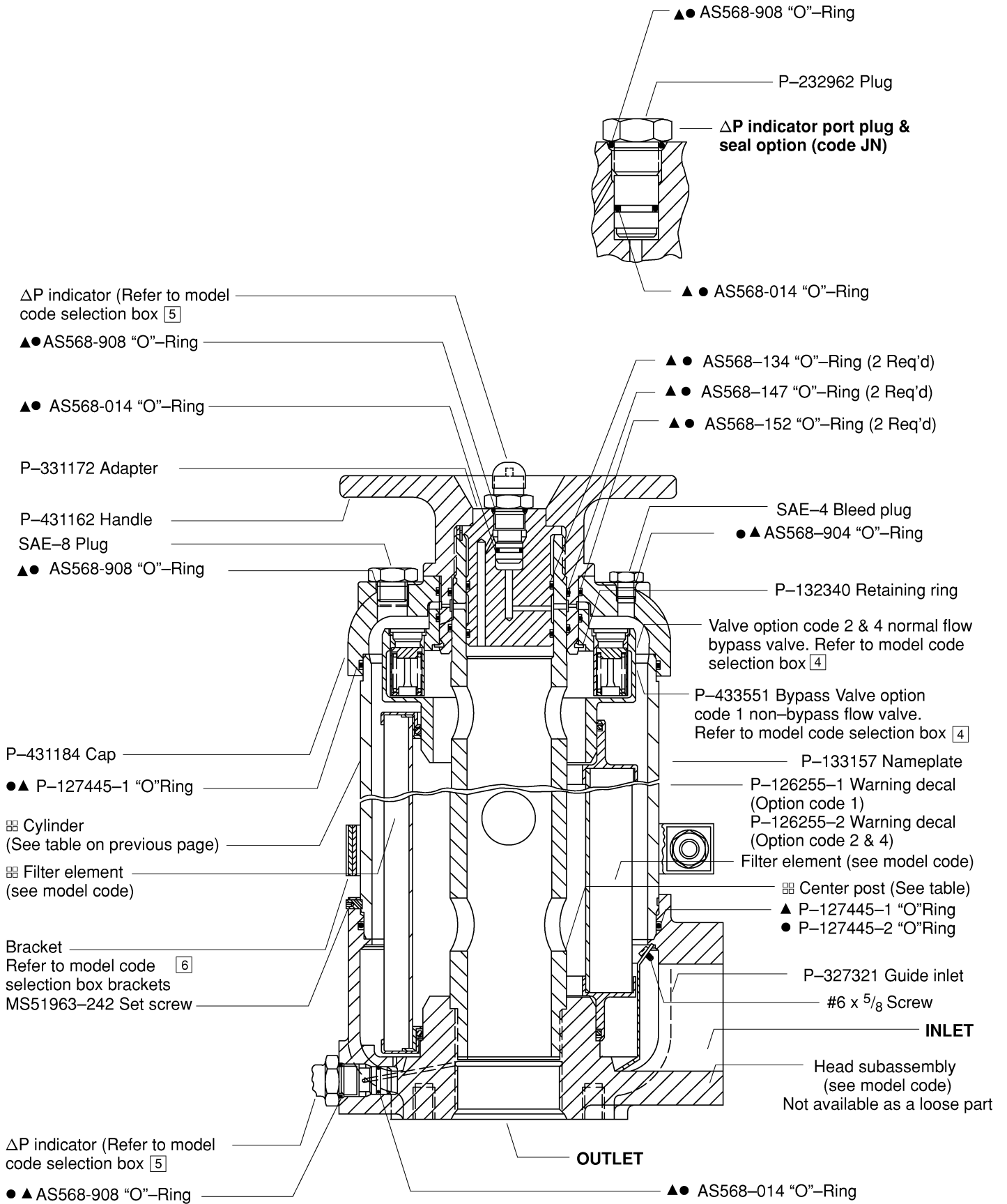
▲ Included in seal kit P-427466-40 Buna  
● Included in seal kit P-427466-42 Viton

☒ Assembly length “L” code option (Refer to model code selection)

Model code	☒ Assy. length (mm) in.	☒ Cylinder	☒ Center post	# of clamp assy. req'd
2	(382.57) 15.062	P-331207-1	P-231261-1	1
5	(602.97) 23.739	P-331207-2	P-231261-2	2
8	(1157.30) 45.563	P-331207-3	P-231261-3	3

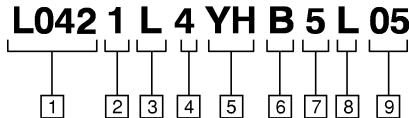


- ▲ Included in seal kit P-427466-19 Buna
  - Included in seal kit P-427466-21 Viton
- Bowl kits contain (Bowl, “O” Ring, & Ring holder.



▲ Included in seal kit P-427466-19 Buna (seal kit for 041 assembly)  
 ● Included in seal kit P-427466-21 Viton

# Housing Model Code



**1 Filter series**

**L042**

**2 Element collapse rating**

**1** – 150 PSID

*NOTE: E-pak & L-pak elements are rated at 100 PSID collapse. If used in a non-bypass housing, a monitored differential pressure indicator (70 PSID max.) should be used. (Indicator option A, B, I, U or V)*

**3 Port option**

**L** – 3" SAE–J518 split flange Code 61

**4 Valve option**

**1** – Non–bypass

**2** – Bypass set at  $22 \pm 3$  PSID cracking pressure.

**4** – Bypass set at  $50 \pm 5$  PSID cracking pressure.

*NOTE: Do not use option 1 in systems with surge pressures over 120 PSID.*

**5 ΔP indicator & receptacle options First designator (Indicator type)**

**A** – Visual ΔP indicator with  $70 \pm 7$  PSID with surge control.

**B** – Electrical/visual ΔP indicator with  $70 \pm 7$  PSID with surge control.

**C** – Electrical/visual ΔP  $15 \pm 4$  PSID.

**D** – Electrical/visual ΔP  $35 \pm 5$  PSID.

**E** – Electrical/visual ΔP  $100 \pm 12$  PSID.

**5 ΔP indicator, First designator (Indicator type) (con't.)**

**F** – Electrical/visual ΔP  $15 \pm 4$  PSID thermal lockout (100° F).

**G** – Electrical/visual ΔP  $35 \pm 5$  PSID thermal lockout (100° F).

**I** – Visual ΔP indicator with  $70 \pm 7$  PSID thermal lockout (100° F).

**J** – No ΔP indicator.

**K** – Visual ΔP indicator with  $15 \pm 4$  PSID actuation & thermal lockout (100° F)

**L** – Visual ΔP indicator with  $35 \pm 5$  PSID actuation & thermal lockout (100° F)

**O** – Visual ΔP indicator with  $100 \pm 12$  PSID actuation & thermal lockout (100° F).

**Q** – Electrical ΔP switch with  $15 \pm 4$  PSID actuation.

**R** – Electrical ΔP switch with  $35 \pm 5$  PSID actuation.

**T** – Electrical ΔP switch with  $100 \pm 12$  PSID actuation.

**U** – Electrical ΔP switch with  $70 \pm 7$  PSID actuation.

**V** – Electrical/visual ΔP  $70 \pm 4$  PSID thermal lockout (100° F).

**W** – Electrical/visual ΔP  $100 \pm 12$  PSID thermal lockout (100° F).

**X** – Electrical/visual ΔP  $15 \pm 4$  PSID thermal lockout (100° F) & surge control.

**Y** – Electrical/visual ΔP  $35 \pm 5$  PSID thermal lockout (100° F) & surge control.

**Z** – Electrical/visual ΔP  $100 \pm 12$  PSID thermal lockout (100° F) & surge control.

**5 ΔP indicator, Second designator (Electrical receptacle style) (con't.)**

**B** – 5 pin Brad Harrison (41512)

**H** – DIN 43650 or Hirschman receptacle (GSA plug) 3 poles plus ground.

**N** – No receptacle – Use with visual ΔP indicator.

**6 Seal material**

**B** – Buna–N

**V** – Viton–A

**E** – Ethylene Propylene

**7 Bowl length mm (in)**

**5** – 726 (28.6)

**8** – 1280 (50.4)

**Element code length mm (in)**

**406,4 (16)**

**990,6 (39)**

**8 Element construction**

**C** – C–pak (grade 3, 5, 10, 20)

**E** – E–pak (grade 1, 3, 5, 10)

**L** – L–pak (1, 3, 5, 10, 20)

**9 Fluid cleanliness ratings**

**Code Fluid cleanliness level**

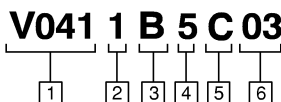
**03** 16/14/12 or better

**05** 18/16/14 or better

**10** 20/18/15 or better

**20** 22/19/16 or better

# Element Model Code



**1 Filter element**

**V041** – For use with L041 series filters

**2 Element collapse rating**

**1** – 150 PSID

*NOTE: 1 – use with bypass valve or monitored ΔP indicator*

**3 Seal material**

**B** – Buna–N

**V** – Viton–A

**4 Bowl length mm (in)**

**5** – 574 (22.6)

**8** – 1303 (51.3)

**Element code length mm (in)**

**406,4 (16)**

**990,6 (39)**

**5 Element construction**

**C** – C–pak (3,5,10 & 20)

**L** – L–pak (grade 3, 5,10, 20)

**E** – E–pak (grade 1, 3, 5, 10)

**6 Fluid cleanliness ratings**

**Code Fluid cleanliness level**

**03** 16/14/12 or better

**05** 18/16/14 or better

**10** 20/18/15 or better

**20** 22/19/16 or better

The table above assumes limited ingress and a single pass of pump flow through the element. For more detailed information, please consult Vickers Guide to Systemic Contamination Control **561** or contact your local Vickers Distributor.