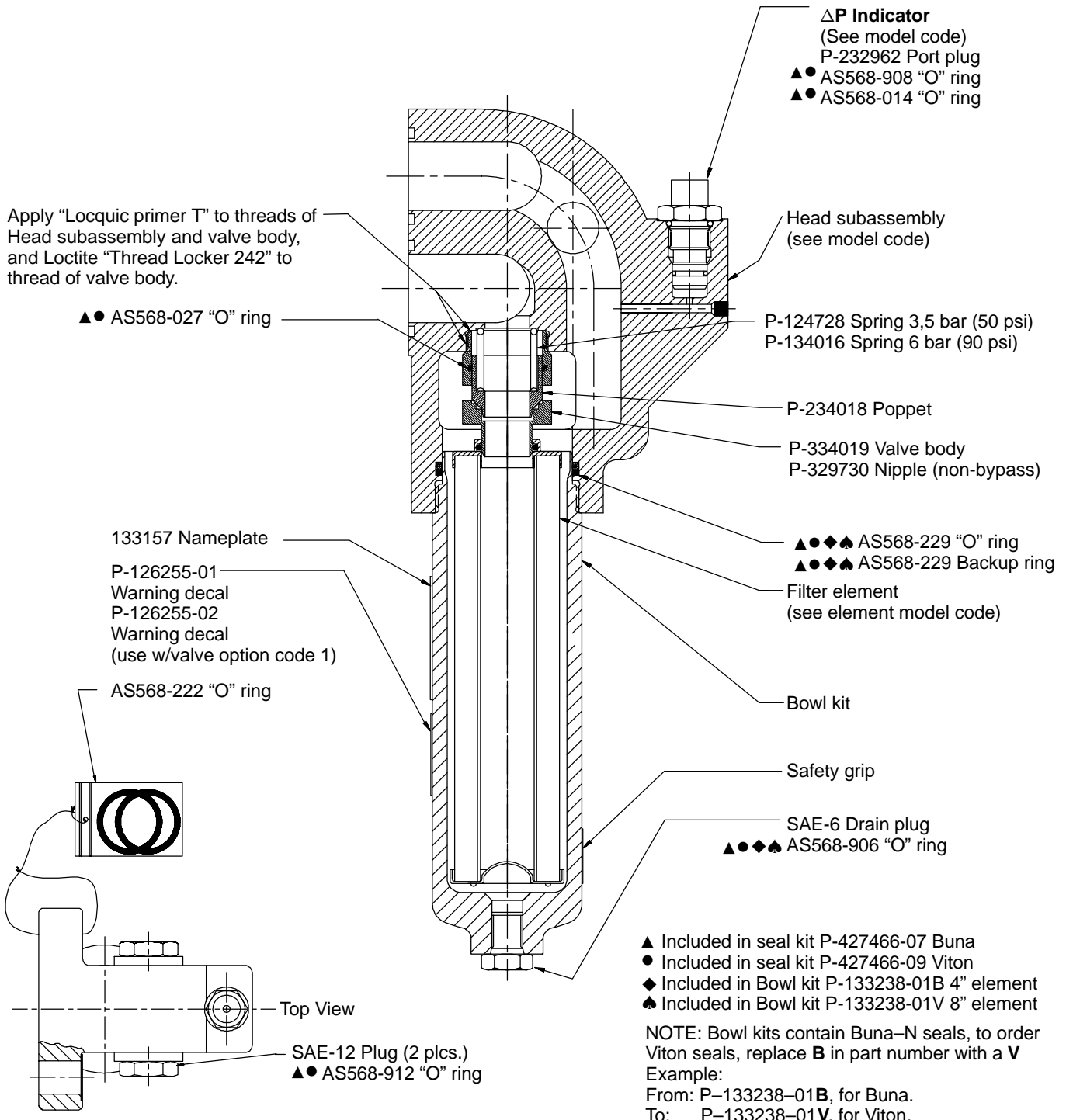
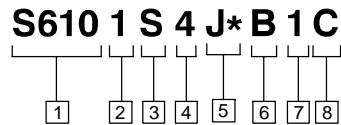


### S610 Series High Performance High Pressure Filter

Flows to 208 L/min (55 USgpm) 414 bar (6000 psi)



# Head Sub Assembly Model Code



## 1 Filter series

**S610**

## 2 Element collapse rating

- 1 – 10 bar (150 PSID)
- 4 – 210 bar (3000) (H-pak only)

## 3 Port option

**S** – Subplate mounting

## 4 Valve option

- 1 – Non-bypass
- 4 – Bypass set at  $3,5 \pm 0,35$  bar (50  $\pm$  5 PSID) cracking pressure
- 6 – Bypass set at  $6,2 \pm 0,70$  bar (90  $\pm$  10 PSID) cracking pressure

## 5 $\Delta$ P indicator & receptacle options

**First designator** (Indicator type)

- A** – Visual  $\Delta$ P indicator w/surge control  $4,8 \pm 0,5$  bar (70  $\pm$  7 PSID)
- B** – Elect./visual  $\Delta$ P indicator w/surge control  $4,8 \pm 0,5$  bar (70  $\pm$  7 PSID)
- D** – Electrical/visual  $\Delta$ P  $2,4 \pm 0,35$  bar (35  $\pm$  5 PSID)
- E** – Elect./visual  $\Delta$ P  $7 \pm 0,85$  bar (100  $\pm$  12 PSID)
- G** – Elect./visual  $\Delta$ P  $2,4 \pm 0,35$  bar (35  $\pm$  5 PSID) thermal lockout 38° C (100° F)
- I** – Visual  $\Delta$ P indicator  $4,8 \pm 0,5$  bar (70  $\pm$  7 PSID) thermal lockout 38° C (100° F)
- J** – No  $\Delta$ P indicator plug and seal
- M** – Visual  $\Delta$ P  $2,4 \pm 0,35$  bar (35  $\pm$  5 PSID) thermal lockout 38° C (100° F)
- P** – Visual  $\Delta$ P indicator with  $7 \pm 0,85$  bar (100  $\pm$  12 PSID) actuation & thermal lockout 38° C (100° F) & surge control

**R** – Elect./visual  $\Delta$ P  $2,4 \pm 0,35$  bar (35  $\pm$  4 PSID)

**T** – Elect./visual  $\Delta$ P  $7 \pm 0,85$  bar (100  $\pm$  12 PSID)

**U** – Elect./visual  $\Delta$ P  $4,8 \pm 0,5$  bar (70  $\pm$  7 PSID)

**V** – Elect./visual  $\Delta$ P indicator  $4,8 \pm 0,5$  bar (70  $\pm$  7 PSID) thermal lockout 38° C (100° F)

**W** – Elect./visual  $\Delta$ P indicator with  $7 \pm 0,85$  bar (100  $\pm$  12 PSID) actuation & thermal lockout 38° C (100° F)

**Y** – Elect./visual  $\Delta$ P indicator with  $2,4 \pm 0,35$  bar (35  $\pm$  5 PSID) actuation & thermal lockout 38° C (100° F) & surge control

**Z** – Elect./visual  $\Delta$ P indicator with  $7 \pm 0,85$  bar (100  $\pm$  12 PSID) actuation & thermal lockout 38° C (100° F) & surge control

## Second designator (Electrical receptacle)

**B** – 5-pin Brad Harrison (41512)

**H** – Din 43650 or Herschmann receptacle (GSA plug) 3 poles plus ground

**N** – No receptacle – Use with visual  $\Delta$ P

## 6 Seal material

**B** – Buna-N

**V** – Viton-A

## 7 Bowl length mm (in)

**1** – 278 (10.95)

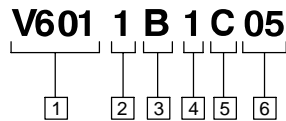
**2** – 370 (14.58)

## 8 Element construction

**C** – C-pak media (3,5 & 10)

**H** – H-pak media (3 & 10)

# Element Model Code



**1 Filter element**

**V601** – For use with S610 series filters

**2 Element collapse rating**

1 – 150 PSID (10 bar)  
4 – 3000 PSID (210 bar) (H-pak only)

**3 Seal material**

**B** – Buna–N  
**V** – Viton–A

**4 Bowl length mm (in)**

1 – 165 (6.5)  
2 – 259 (10.0)

**Element length mm (in)**

101 (4.0)  
203 (8.0)

**5 Element construction**

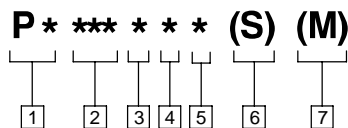
**C** – C-pak (3, 5, 10)  
**H** – H-pak high collapse media (3 & 10 only)

**6 Fluid cleanliness ratings**

Code	Fluid cleanliness level
<b>03</b>	16/14/12 or better
<b>05</b>	18/16/14 or better
<b>10</b>	20/18/15 or better

The table above assumes limited ingress and a single pass of pump flow through the element. For more detailed information, please consult Vickers Guide to Systemic Contamination Control **561** or contact your local Vickers Distributor.

# Differential Pressure Indicator Model Code



**1 Style option**

**PV** – Visual  
**PE** – Electrical  
**PD** – Electrical/Visual

**2 Actuation pressure option**

**015** – 15 ± 4 PSID (1 bar)  
**035** – 35 ± 5 PSID (2,4 bar)  
**070** – 70 ± 7 PSID (4,8 bar) (not an option with 330/340 filters)  
**100** – 100 ± 12 PSID (6,9 bar)

**3 Thermal lockout option**

**N** – No thermal lockout (not an option with IFI indicator)  
**T** – Thermal lockout (standard TLO=80 ± 20° F)

**4 Seal option**

1 – Buna-N  
2 – Viton

**5 Receptacle option**

**B** – 5-pin Brad Harrison (41512) (not an option with visual indicator)  
**H** – Hirschman (DIN 43650) (not an option with visual indicator)  
**N** – No receptacle (use with visual indicator) (not an option with IFI indicator)

**6 Surge control option**

**None** – No surge control  
**S** – Surge control (not an option with 330/340 filters)

**7 Filter series option**

**None** – Standard  
**M** – 330/340 Filters only