

L041 Series Low Pressure Filter Flows to 1135 L/min (300 USgpm)

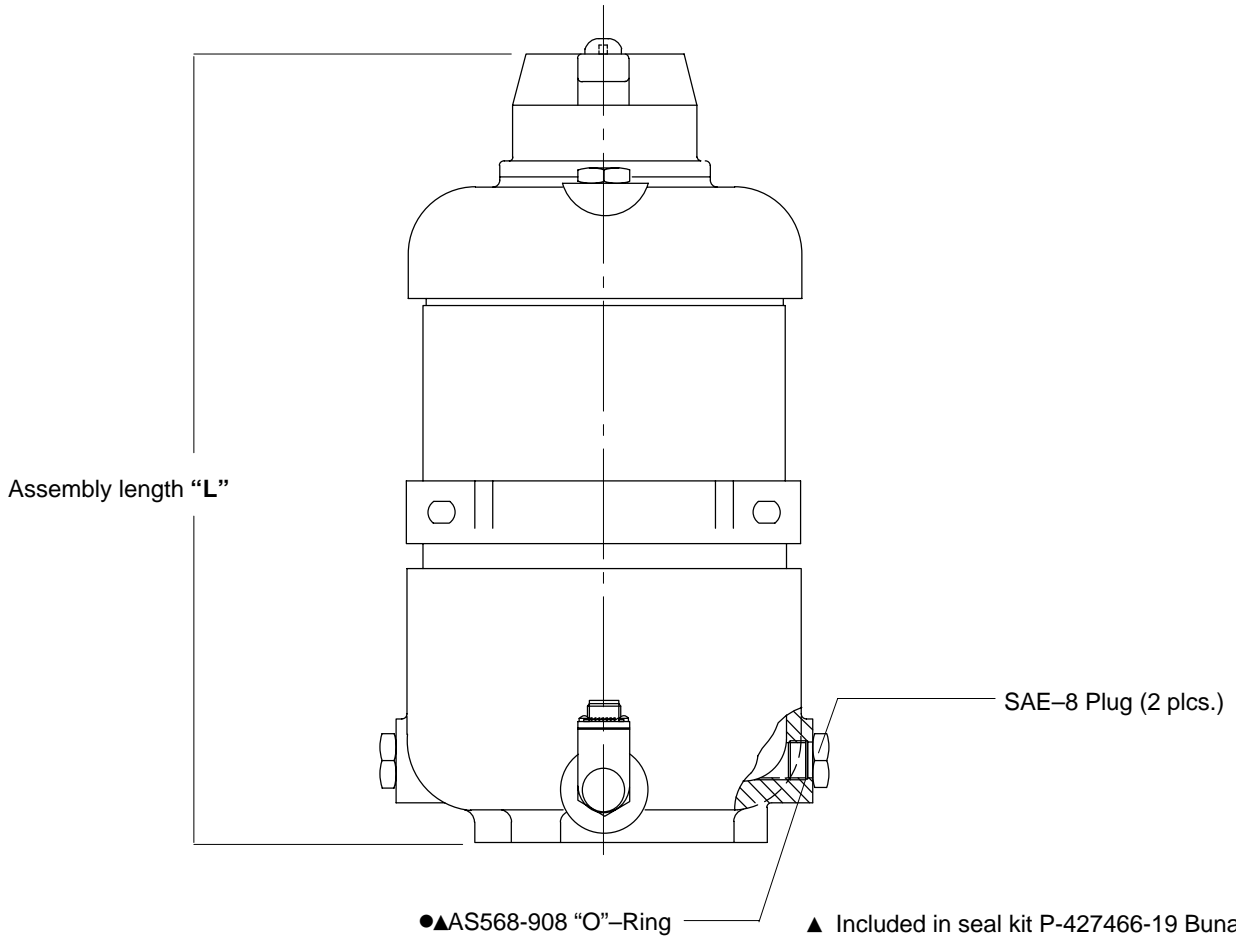


CAUTION

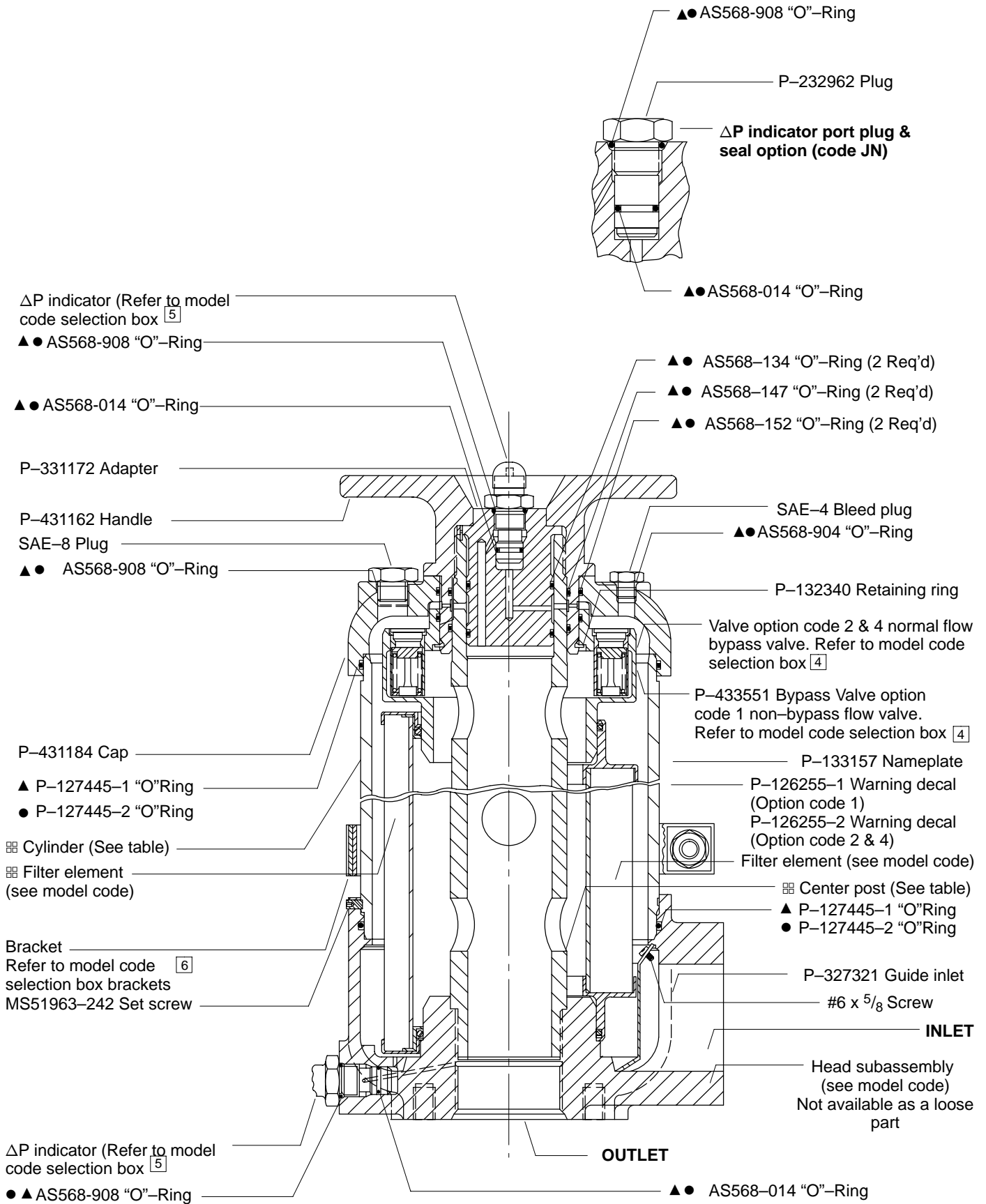
Before servicing the element, the bleed plug in filter housing must be loosened to relieve hydraulic pressure. This will minimize fluid overflow.

☒ Assembly length "L" code option (Refer to model code selection)

Model code	☒ Assy. length (mm) in.	☒ Cylinder	☒ Center post	# of clamp assy. req'd
2	(382.57) 15.062	P-331207-1	P-231261-1	1
5	(602.97) 23.739	P-331207-2	P-231261-2	2
8	(1157.30) 45.563	P-331207-3	P-231261-3	3

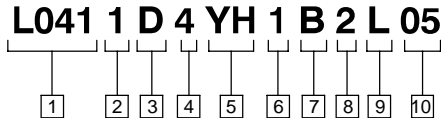


- ▲ Included in seal kit P-427466-19 Buna
 - Included in seal kit P-427466-21 Viton
- Bowl kits contain (Bowl, "O" Ring, & Ring holder.



- ▲ Included in seal kit P-427466-19 Buna
- Included in seal kit P-427466-21 Viton

Housing Model Code



1 Filter series

L041

2 Element collapse rating

1 – 150 PSID

NOTE: **1** – use with bypass valve or monitored ΔP indicator

3 Port option

D – 1½" SAE–J514 straight thread

J – 2" SAE–J518 split flange Code 61

K – 2½" SAE–J518 split flange Code 61

4 Valve option

1 – Non–bypass

2 – Bypass set at 22 ± 3 PSID cracking pressure.

4 – Bypass set at 50 ± 5 PSID cracking pressure.

NOTE: Do not use option **1** in systems with surge pressures over 120 PSID.



5 ΔP indicator & receptacle options
First designator (Indicator type)

C – Electrical/visual ΔP 15 ± 4 PSID.

D – Electrical/visual ΔP 35 ± 5 PSID.

5 ΔP indicator, First designator
(Indicator type) (con't.)

E – Electrical/visual ΔP 100 ± 12 PSID.

F – Electrical/visual ΔP 15 ± 4 PSID thermal lockout (100° F).

G – Electrical/visual ΔP 35 ± 5 PSID thermal lockout (100° F).

J – No ΔP indicator.

K – Visual ΔP indicator with 15 ± 4 PSID actuation & thermal lockout (100° F)

L – Visual ΔP indicator with 35 ± 5 PSID actuation & thermal lockout (100° F).

O – Visual ΔP indicator with 100 ± 12 PSID actuation & thermal lockout (100° F).

Q – Electrical ΔP switch with 15 ± 4 PSID actuation.

R – Electrical ΔP switch with 35 ± 5 PSID actuation.

T – Electrical ΔP switch with 100 ± 12 PSID actuation.

W – Electrical/visual ΔP 100 ± 12 PSID thermal lockout (100° F).

X – Electrical/visual ΔP 15 ± 4 PSID thermal lockout (100° F) & surge control.

Y – Electrical/visual ΔP 35 ± 5 PSID thermal lockout (100° F) & surge control.

Z – Electrical/visual ΔP 100 ± 12 PSID thermal lockout (100° F) & surge control.

Second designator (Electrical receptacle)

B – 5 pin Brad Harrison (41512)

H – DIN 43650 or Hirschman receptacle (GSA plug) 3 poles plus ground.

5 Second designator electrical receptacle options (con't.)

N – No receptacle – Use with visual ΔP indicator.

6 Brackets

1 – No bracket

2 – Single bracket (Bowl # 2)

3 – Double bracket (Bowl # 5)

4 – Triple bracket (Bowl # 8)

7 Seal material

B – Buna–N

V – Viton–A

8 Bowl length
mm (in)

2 – 358 (14.0)

5 – 574 (22.6)

8 – 1303 (51.3)

Element code
length mm (in)

203,2 (8)

406,4 (16)

990,6 (39)

9 Element construction

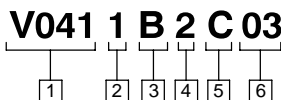
C – C–pak (3, 5, 10, 20)

L – L–pak (grade 3,5,10,20)

10 Fluid cleanliness ratings

Code	Fluid cleanliness level
03	16/14/12 or better
05	18/16/14 or better
10	20/18/15 or better
20	22/19/16 or better

Element Model Code



1 Filter element

V041 – For use with L041 series filters

2 Element collapse rating

1 – 150 PSID for C–pak

100 PSID for L–pak

NOTE: **1** – use with bypass valve or monitored ΔP indicator

3 Seal material

B – Buna–N

V – Viton–A

4 Bowl length
mm (in)

2 – 358 (14.0)

5 – 574 (22.6)

8 – 1303 (51.3)

Element code
length mm (in)

203,2 (8)

406,4 (16)

990,6 (39)

5 Element construction

C – C–pak (3,5,10 & 20)

L – L–pak (grade 3, 5,10, 20)

6 Fluid cleanliness ratings

Code	Fluid cleanliness level
03	16/14/12 or better
05	18/16/14 or better
10	20/18/15 or better
20	22/19/16 or better

The table above assumes limited ingress and a single pass of pump flow through the element. For more detailed information, please consult Vickers Guide to Systemic Contamination Control **561** or contact your local Vickers Distributor.