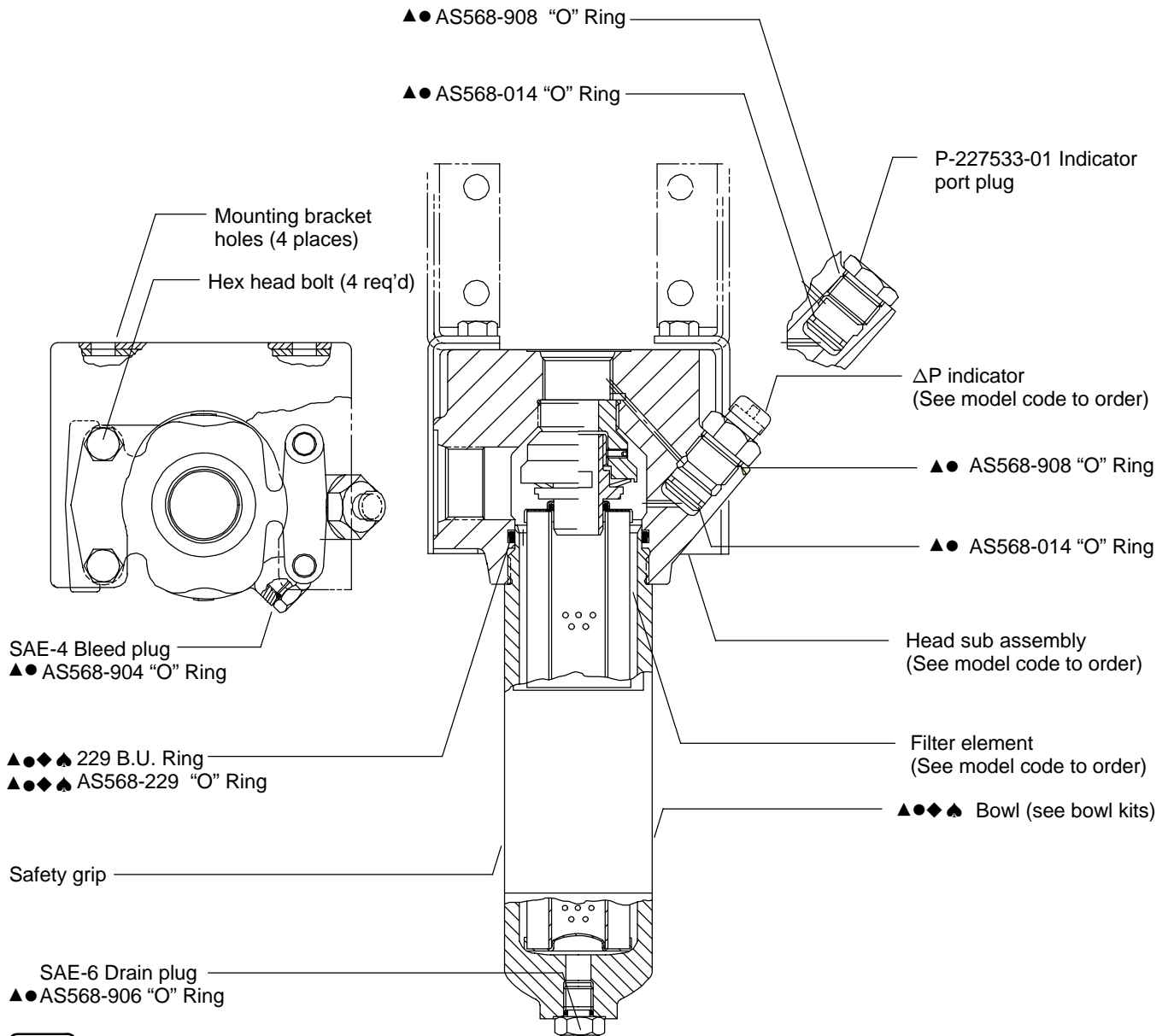


Service Data

H610 Series High Performance High Pressure Filter

Flows to 208 L/min (55 USgpm) 414 bar (6000 psi)



CAUTION

Before servicing the element, the bleed plug in filter housing must be loosened to relieve hydraulic pressure. This will minimize fluid overflow.

NOTE: Bowl kits contain Buna-N seals, to order Viton seals, replace **B** in part number with a **V**.

Example:

From: P-133238-01**B**, for Buna.

To: P-133238-01**V**, for Viton.

▲ Included in seal kit P-427466-04 Buna

● Included in seal kit P-427466-06 Viton

◆ Included in 4" Bowl kit P-133238-01B

◆ Included in 8" Bowl kit P-133238-02B

Bowl kits contain (Bowl, "O" Ring, & Ring holder).

Head Sub Assembly Model Code

H610 * * * JN 1 * S50

1 Filter series

H610

2 Element collapse rating

1 – 150 PSID (10 bar)
4 – 3000 PSID (210 bar) (H– pak only)

3 Port option

A – 1.062-12UN SAE-12 str. thd.
(³/₄" tube)
B – 1.312-12UN SAE-16 str. thd.
(1" tube)
F – 1" SAE 4-bolt split flange Code 61
M – 1" SAE 4-bolt split flange Code 62
S – Subplate mounting

4 Valve option

1 – Non–bypass
4 – Bypass set at 50 ± 5 PSID (3,4 bar)
cracking pressure
6 – Bypass set at 90 ± 10 PSID (6,2 bar)
cracking pressure

5 ΔP indicator & receptacle options
First designator (Indicator type)

J – No ΔP indicator.

Second designator (Electrical receptacle)

N – No receptacle – Use with visual ΔP indicator.

6 Brackets (P-426225-01)

1 – No bracket)

7 Seal material

B – Buna–N
V – Viton–A

8 S50 Head sub assembly

Element Model Code

V601 1 B 1 C 05

1 Filter element

V601 – For use with H610 series filters

2 Element collapse rating

1 – 150 PSID (10 bar)
4 – 3000 PSID (210 bar) (H–pak only)
NOTE: 1 use only with bypass valve

3 Seal material

B – Buna–N
V – Viton–A

4 Bowl length mm (in)	Element length mm (in)
1 – 165 (6.5)	101,6 (4)
2 – 259 (10.2)	203 (8)

Eaton Hydraulics

15151 Highway 5
Eden Prairie, MN 55344
Telephone: 612 937-7254
Fax: 612 937-7130
www.eatonhydraulics.com

5 Element construction

C – C–pak (grade 3, 5, 10)
H – H–pak (grade 3, 10)

6 Fluid cleanliness ratings

Code	Fluid cleanliness level
03	16/14/12 or better
05	18/16/14 or better
10	20/18/15 or better

The table above assumes limited ingress and a single pass of pump flow through the element. For more detailed information, please consult Vickers Guide to Systemic Contamination Control **561** or contact your local Vickers Distributor.

46 New Lane, Havant
Hampshire PO9 2NB
England
Telephone: (44) 170-548-6451
Fax: (44) 170-548-7110

Element Dimensions mm (in.)

