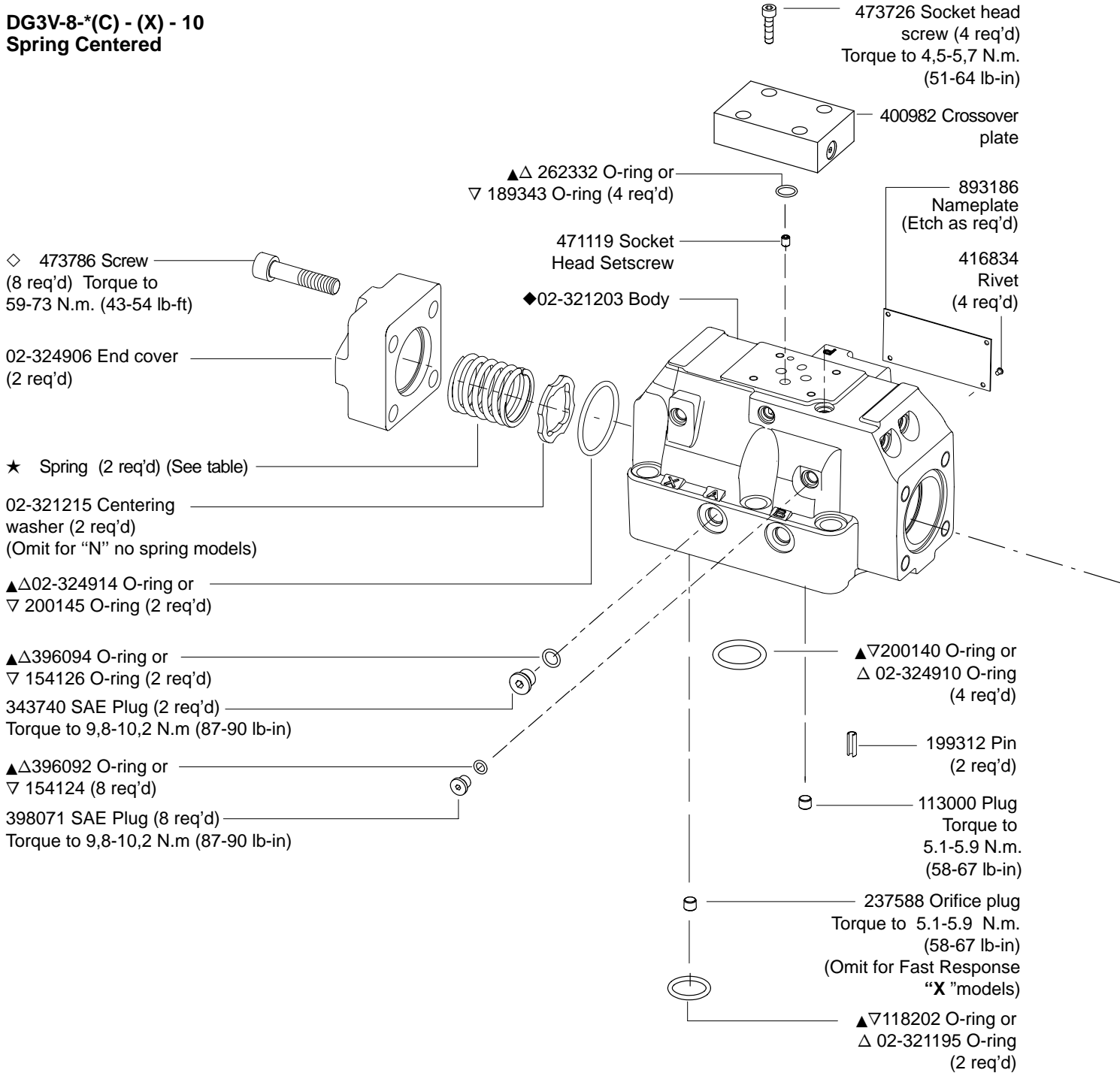




## Hydraulic Operated Directional Valves

(F\*) – DG3V – 8 (B) – \*\* – (L) – (X) – (\*) – (\*) – 10 – (EN\*\*)

**DG3V-8-\*(C) - (X) - 10**  
**Spring Centered**



★ **Centering Spring Options**

Part No.	Description	Spool Types
783665	Centering Spring●	2,3,6,7,31,33,52,521
02-321216		0,1,11,9
926840		4,8

●Omit centering springs for "N" No Spring models

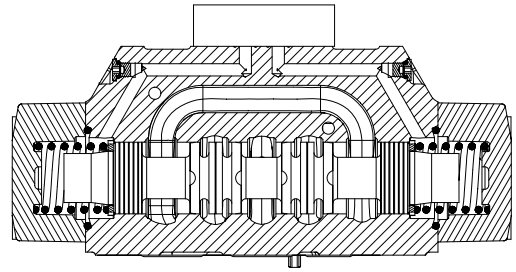
- △ Included in 02-329323 F3 Seal Kit
- ▽ Included in 02-330405 F6 Seal Kit
- ▲ Included in 02-330404 Standard Seal Kit
- Included in 02-329322 Stroke Adj. Kit
- ◇ Included in 02-329325 Fastener Kit
- ◆ Not available for sale

**Seal Kit Note:**  
 All internal seals of the mainstage are F3 (Viton®). Mounting face seals are standard (Buna-N). F6 seals are special (Nitrile) and are used throughout the valve assembly.  
 ® Viton is a registered trademark of E.I. DuPont

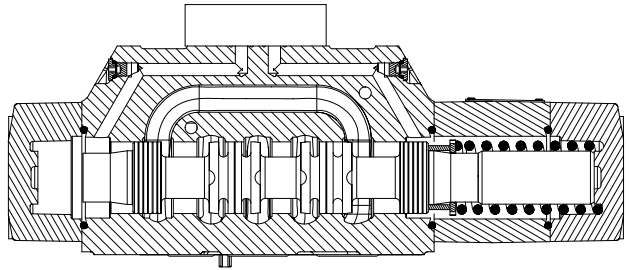
⊗ Spool Type	Part Number
0	02-324575
1	02-324576■
2	02-324577
3	02-324578■
4	02-324579
6	02-324580
7	02-324581
8	02-324582
9	02-324583
11	02-324576■
31	02-324578■
33	02-324584
52	02-324585■
521	02-324585■

■ Assemble with narrow center land towards "A" end of valve.

■ Assemble with narrow center land towards "B" end of valve.

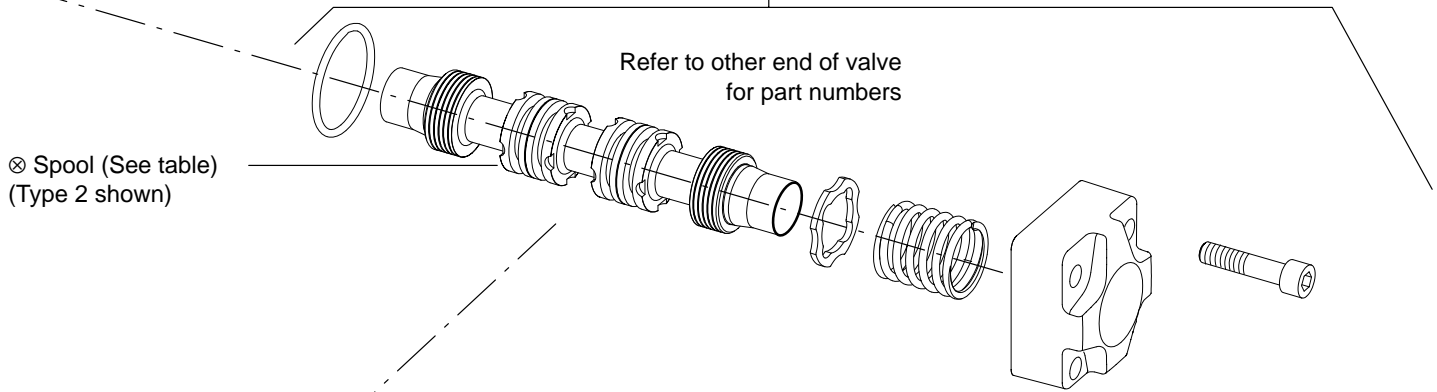


Spring Centered Cross Sectional View  
DG3V-8-(C)-(X)-10

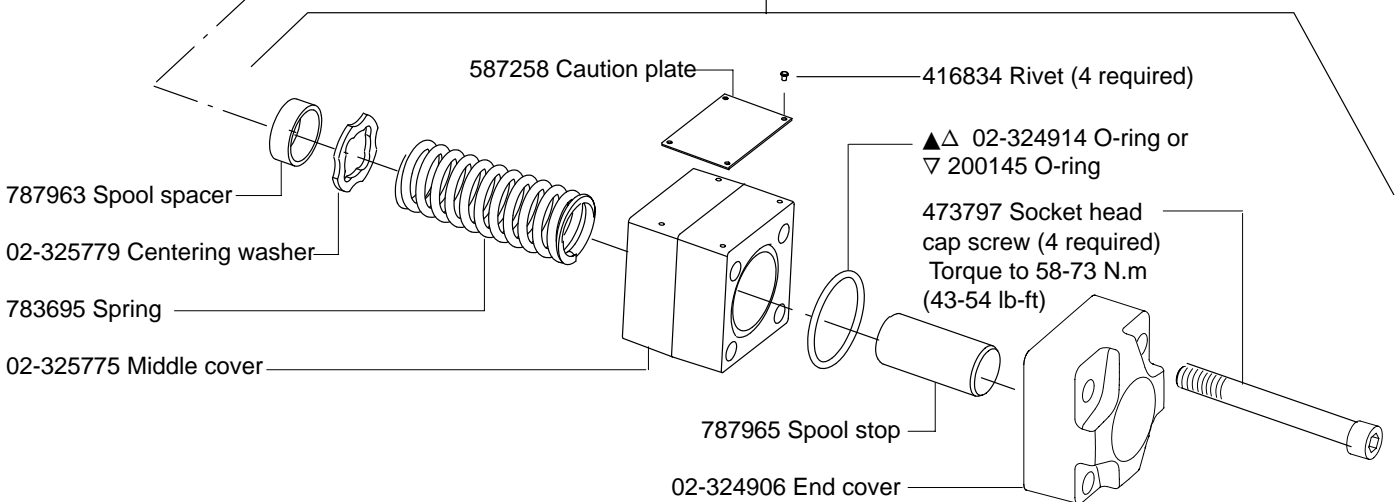


Spring Offset Cross Sectional View  
DG3V-8-\*A(L)-(X)-10

**DG3V-8-(C) - (X) - 10  
Spring Centered**



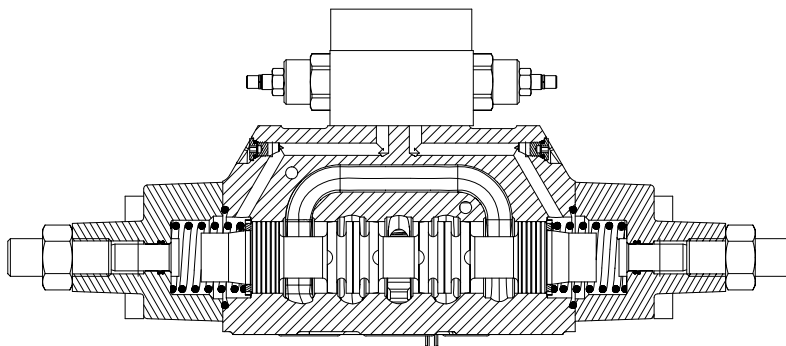
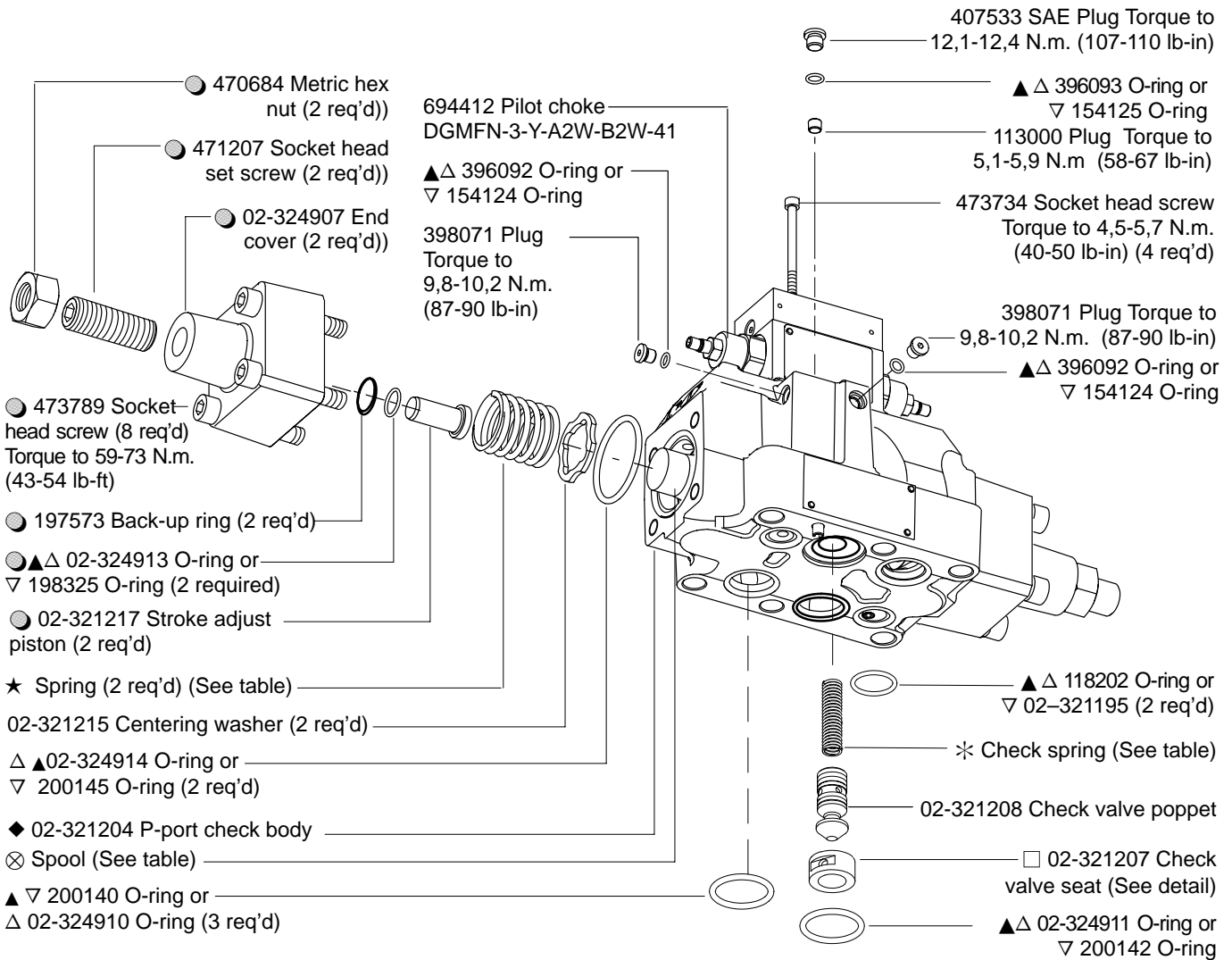
**DG3V-8-\*A(L) - (X) - 10  
Spring Offset**



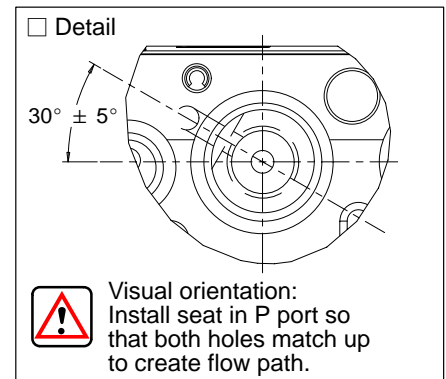
\* Check Spring Options

Part No.	Description
02-321211	<b>K</b> -0,3 bar (5 psi) spring
02-321212	<b>Q</b> -2,4 bar (35 psi) spring
02-321213	<b>R</b> -3,4 bar (50 psi) spring
02-321214	<b>S</b> -5,2 bar (75 psi) spring

**DG3V-8-(C)-(X) -\*-10**  
**Spring Centered with**  
**Check Valve Options &**  
**Stroke Adjustment,**  
**Pilot Choke**  
**(Refer to model code)**

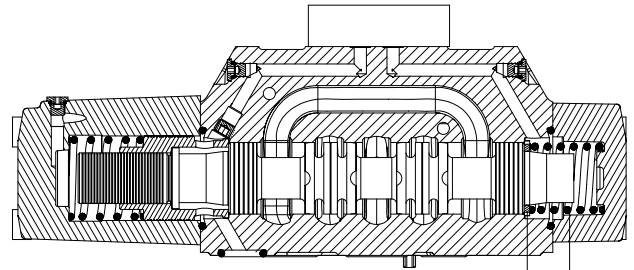


Spring Centered Cross Sectional View  
 DG3V-8-(C)-3-K-10  
 (Pilot Choke and Stroke Adjustment Both Ends)



**DG3V-8-\*(D) (2/8/28)-10**  
**Pressure Centered with**  
**Spool Control**  
**& Check Valve Options**  
**(Refer to model code)**

Pressure Centered Cross Sectional View DG3V-8-\*D-10



02-321215 Centering washer  
 ★Centering spring (See table)

473797 Socket Head Screw (4 req'd)  
 Torque to 59-73 N.m (43-54 lb-in)

398071 Plug  
 Torque to 9,8-10,2 N.m. (87-90 lb-in)

▲▲ 396092 O-ring  
 ▼ 154124 O-ring

▲▲ 02-324919 O-ring  
 ▼ 200183 O-ring

▲▲ 02-324914 O-ring or  
 ▼ 200145 O-ring (2 req'd)

⊗ Spool (See table)

473786 Socket Head Screw (4 req'd)  
 Torque to 59-73 N.m (43-54 lb-in)

02-324916 End Cover

02-325778 Spring

02-324917 Piston sleeve

02-324918 Piston

7074 Plug  
 Torque to 8,5-9,6 N.m. (96-108 lb-in)

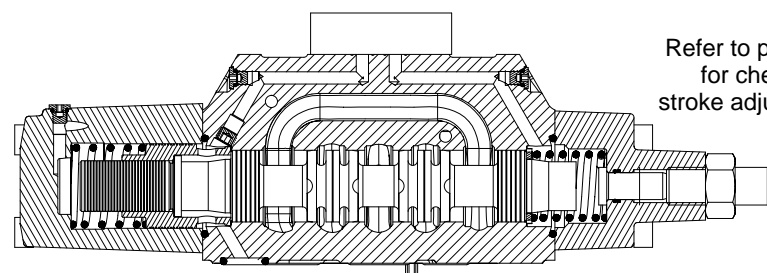
◆ 02-321205 Pressure centered body  
 ◆ 02-321206 Pressure centered body with check

▲▲ 02-321195 O-ring or  
 ▼ 118202 O-ring

▲▲ 200140 O-ring or  
 ▼ 02-324910 O-ring (4 req'd)

▲▲ 118202 O-ring or  
 ▼ 02-321195 (2 req'd)

02-324906 End Cover

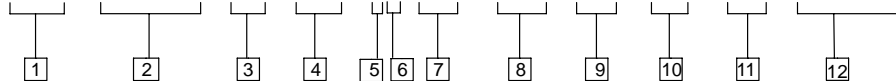


Refer to previous page  
 for check valve and  
 stroke adjustment parts

Pressure Centered Cross Sectional View DG3V-8-\*D-8-10  
 (Stroke Adjustment on Cylinder "B" End Only)

# Model Code

(F\*) - DG3V - 8 - (B) - \*\* (L) - (X) - (\*) - (\*) - 10 - (EN\*\*)



## 1 Special Seals

(Omit if not required)

**F3** - Seals for fire resistant fluids.

**F6** - Seals for water glycol.

## 2 Directional Control Valve

**DG3V** - Subplate mounting; hydraulic operated. Pressure rating 350 bar (5000 psi) for all ports.

## 3 Valve Size

**8** - Valve size CETOP 8, NFPA D08

## 4 Gauge Ports

**Blank** - .4375-20 UNF-2B Thread

**B** - 1/4 BSP Thread

## 5 Spool Types

**0** - Open to T all ports

**1** - Open P&A to T, closed B

**2** - Closed to T all ports

**3** - Closed P&B, open A to T

**4** - Tandem P to T, closed crossover

**6** - Closed P only, open A&B to T

**7** - Open P to A&B, closed T

**8** - Tandem P to T, open crossover

**9** - Open to T all ports over tapers

**11** - Open P&B to T, closed A

**31** - Closed P&A, open B to T

**33** - Closed P, open A&B to T over tapers

**52** - Closed center, regen. by sol. 'A'

**521** - Closed center, regen. by sol. 'B'

## 6 Spool/Spring Arrangement

**Blank** - No spring

**A** - Spring offset to cylinder 'A'

**C** - Spring centered

**D** - Pressure centered 140-210 bar (2000 - 3000 psi)

## 7 Left Hand Build

**L** - A Models only, omit if not required.

## 8 Fast Response

(Omit for standard low shock models)

**X** - Not recommended for pilot pressures above 210 bar (3000 psi).

## 9 Spool Control Modifications

(Omit if not required)

**1** - Stroke adjustment (both ends) (available on C & Blank (no spring) models)

**2** - Pilot choke adjustment (available on all models)

**3** - Pilot stroke and stroke adjusters (both ends) (available on C & Blank (no spring) models)

**7** - Stroke adjusters on cylinder A end only (available on A, C & Blank (no spring) models)

**8** - Stroke adjusters on cylinder 'B' end only (available on A, C, & Blank (no spring) models)

**27** - If both are required (available on A, C, & Blank (no spring) models)

**28** - If both are required (available on AL left hand build, C & Blank (no spring) models)

Note: Single Offset models with stroke adj:  
DG3V-8-\***A** with stroke adj available as type **8** or **28** only  
DG3V-8-\***AL** with stroke adj available as type **7** or **27** only

Note: Stroke adjustment available as type **8** or **28** option only when used in combination with a Pressure Centered **-D** model.

## 10 Check Valve in Pressure Port

(Omit if not required)

**K** - 0,35 bar (5 psi) check

**Q** - 2,42 bar (35 psi) check

**R** - 3,45 bar (50 psi) check

**S** - 5,20 bar (75 psi) check

## 11 Design Number

Subject to change. Installation dimensions remain as shown for design numbers 10 through 19.

## 12 Special Modifications

(Omit if not required)