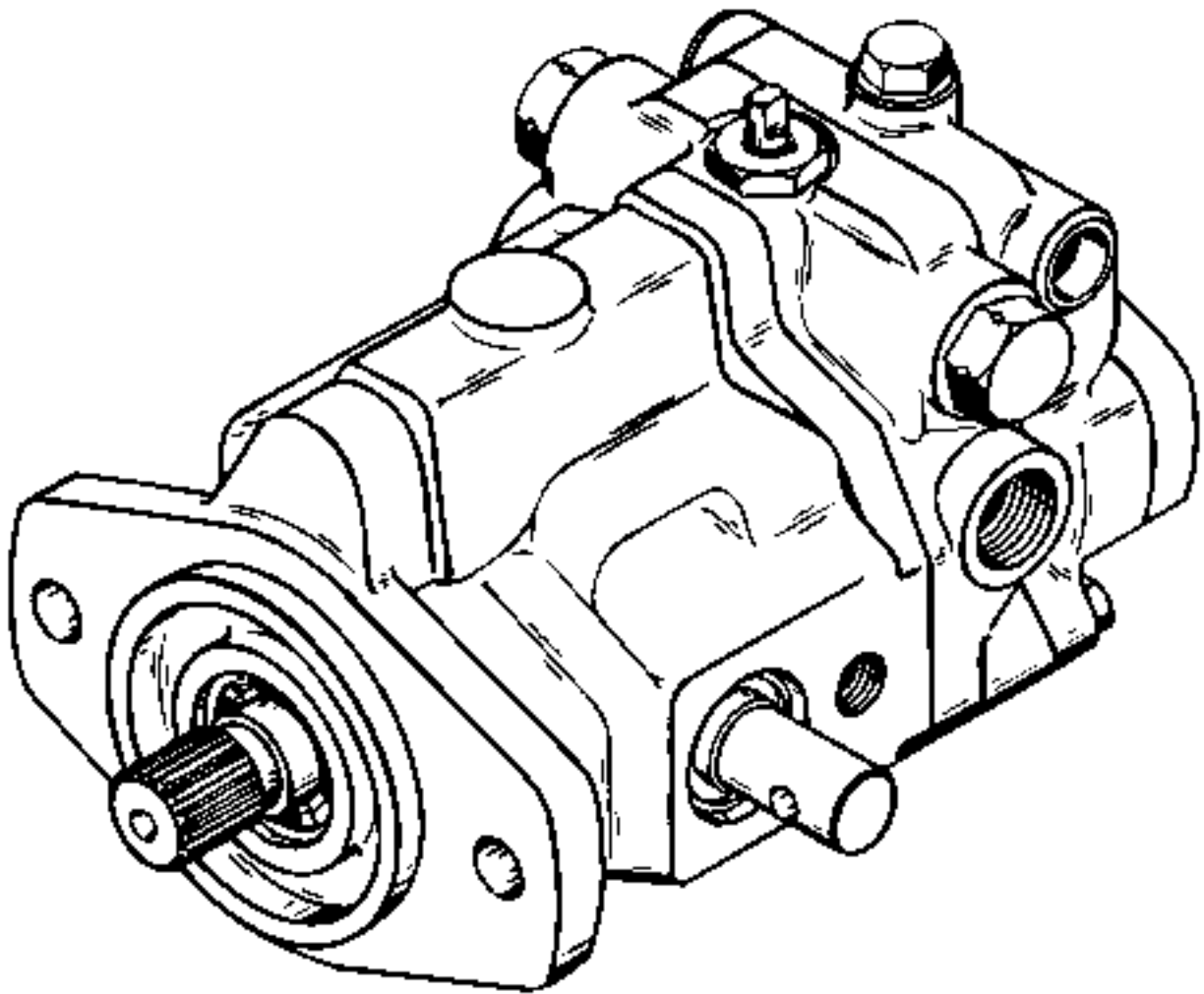


**Eaton
Hydraulics
Division**

Parts Information

Model 70442 Propulsion Piston Pump



EATON

Item No.	Description	Quantity	Model 70442
+ 1	Retaining Ring	1	16077-32
+ 2	Shaft Seal	1	16253-18
3	Washer	1	16048-319
+ 4	Retaining Ring	2	16078-18
5	Bearing Race	2	74308-100
6	Bearing	1	74308-101
7	Key	1	16246 516
8	Drive Shaft	1	•
9	Housing Assembly	1	70402-324
10	Bearing	2	70412-151
11	Inner Race	1	70402-100
+ 12	O-ring, 3/32 in. x 1-7/16 in. I.D. [2,38mm x 36,5mm I.D.]	2	16015-27
13	Sleeve Cover	1	70402-600
13A	Trunnion Cover	1	70412-607
- 14	Retaining Ring	2	16077-26
- 18	O-ring, 3/32 in. x 13/16 in. I.D. [2,38mm x 20,64mm I.D.]	1	16015-217
19	Camplate	1	•
29	Rotating Kit Assembly	1	70402-615
- 31	Housing Gasket	1	70412-626
33	Backplate Assembly	1	•
34	Cap Screws	2	16032-640
34A	Cap Screws	2	16032-634
34B	Cap Screws (used w/mounting bracket)	2	16032-636
35	Plug Assembly	2	32060-8
+ 36	O-ring, 3/32 in. x 7/8 in. I.D. [2,38mm x 22,23mm I.D.]	2	16015-18-90
37	Spring	2	17079-2
38	Relief Valve Assembly	2	•
39	Plug Assembly	1	16223-016
39A	Tow Valve Assembly	1	70411-503
+ 40	Retaining Ring	1	16078-6
41	Separator Plug	1	70411-501
+ 42	O-ring, 3/32 in. x 3/4 in. I.D. [2,38mm x 19,05mm I.D.]	1	16133 10
43	Spreader	1	70411-502
+ 44	O-ring, 1/16 in. x 3/8 in. I.D. [1,59mm x 9,53mm I.D.]	1	16003-7
45	Coupler	1	70411-602
46	Lock Ring	1	16008-0
47	Inner Gerotor	1	•
48	Key	1	15222-20
49	Outer Gerotor Ring	1	•
+ 51	O-ring, Molded (Used with Gerotor Adaptor Assy.)	1	70342-600
+ 51A	O-ring, Molded (Used in front pump of tandem piston Assy.)	1	70111-703
52	Adaptor Assembly	1	•
53	Check Valve Assembly	2	70111-505
+ 54	Back-up Washer	2	16101-301
55	O-ring, 1/16 in. x 7/16 in. I.D. [1,59mm x 11,11mm I.D.]	2	16015-1-90
56	Steel Ball	2	16006-9
57	Pin	2	70111-512
58	Poppet Filter Relief	1	70111-507
59	Spring	1	17000-48B

• Refer to matrix charts per description.
+ Included in seal repair kit 70442-932

(Continue)

Item No.	Description	Quantity	Model 70442
60	Spring Retainer	1	70400-505
61	Plug Assembly	1	16103-108
+ 62	O-ring, 3/32 in. x 41/64 in. I.D. [2,98mm x 16,27mm I.D.]	1	16133-8
63	Mounting Support Bracket	1	70411-605
+ 64	O-ring, 1/16 in. x 3-1/4 in. I.D. [1,59mm x 82,55mm I.D.]	1	16007-14
65	Cover Plate	1	70142-600
66	Cap Screw	2	16032-610
67	Cover Plate Kit	1	70142-915
S	Seal Repair Kit	1	70442-932

Drive Shaft Matrix - Item No. 8

Description	Part Number
1 in. Keyed (Used in a single piston pump or piston pump w/Gear pump)	70442-275
1 in. 15Tooth Spline (Used in a single piston pump or piston pump w/Gear pump)	70442-202
1 in. 15Tooth Spline (Used in Front piston pump of tandem units)	70442-203
7/8 in. 41 Tooth Spline (Used in rear piston pump of tandem units)	70442-200

Camplate Matrix - Item No. 19

Description	Part Number
Front pump or single piston unit (Right Side)	70402-614
Rear pump of tandem piston unit (Left Side)	70402-613

Relief Valve Matrix - Item No. 38

Part Number	32060-QA	32060-UA	32060-WA	32060-ZA	32060-XA	32060-IA
Pressure Setting P.S.I. [bar]	2500[172]	3000[207]	3500[241]	4000[276]	4500[310]	5000[345]

Gerotor Matrix - Item No. 47 and 49

Description	Inner #47	Outer #49
Rear piston pump of tandem piston units	79004-605	79004-606
Single piston pump unit	79004-611	79004-612

Adapter Assembly Matrix - Item No. 52

Description of Installation	Part Number per Rotation		
	Dual	Left-hand	Right-hand
Front piston pump of tandem unit	70441-309	--	--
Rear piston pump of tandem unit	--	70442-368	70441-374
Single piston pump unit	--	70442-362	70442-356

Backplate Matrix - Item No. 33

Description	Part Number
Front pump of Tandem unit	70441-410
Single Piston or Rear Pump of Tandem	70411-353