

NO. 6- 523

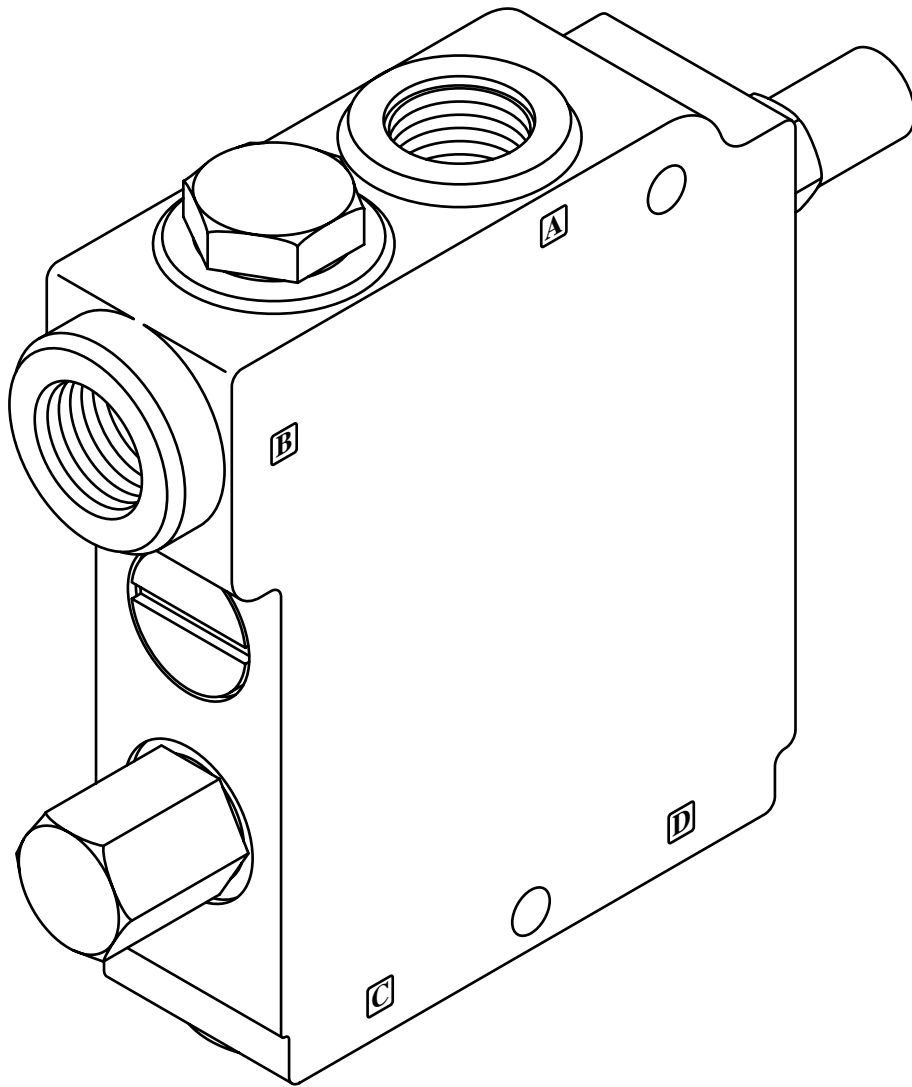
**Eaton  
Hydraulics  
Division**

# Parts Information

---

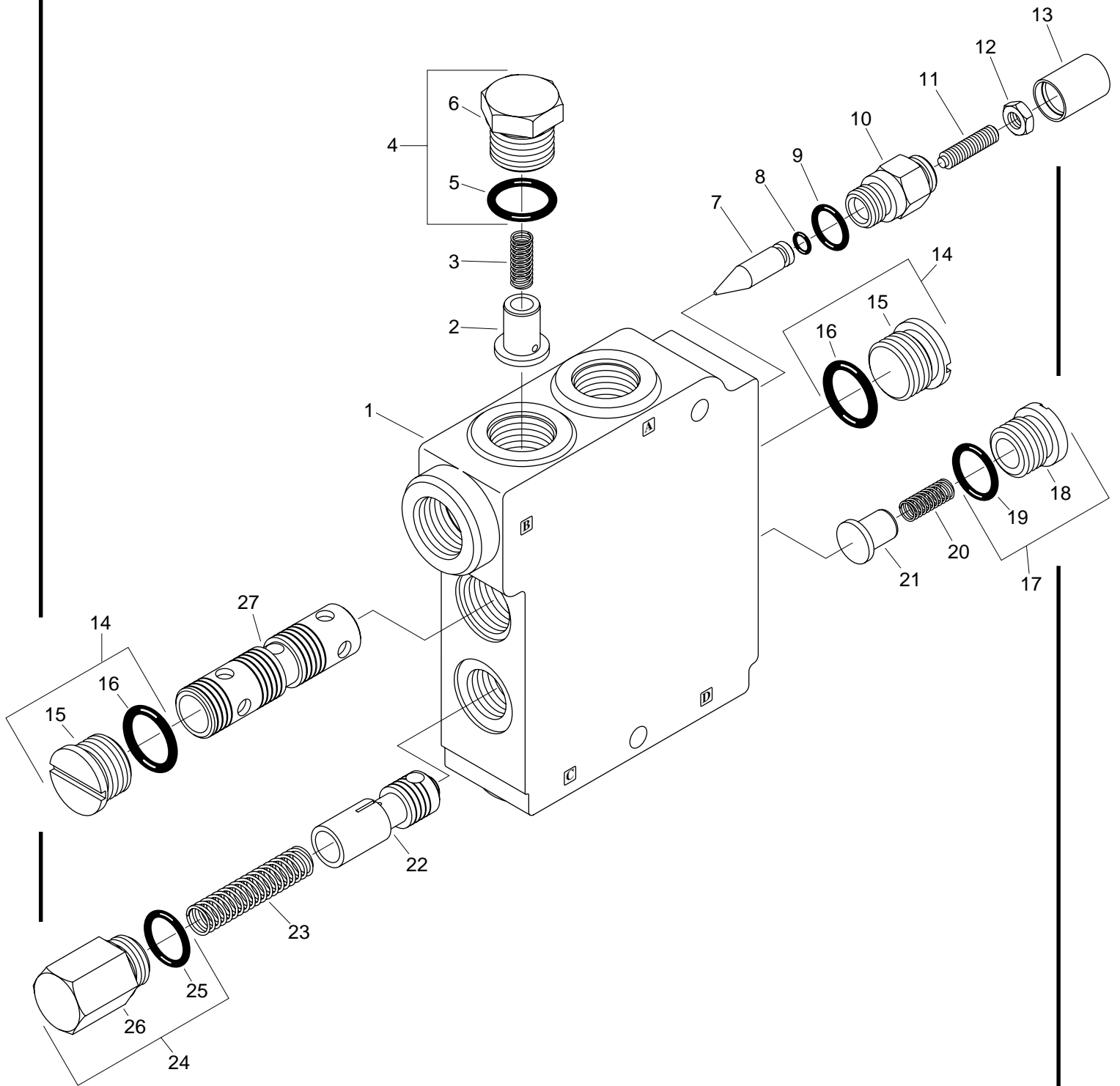
## **39055-DAQ Self-Level Valve**

---



**EAT•N**

# Parts Drawing



**Parts List**

| <b>Ref. No.</b> | <b>Description</b> | <b>Part Number</b> | <b>Quantity</b> |
|-----------------|--------------------|--------------------|-----------------|
| 1               | Body               | NSS                | 1               |
| 2               | Load Check         | 39055 - 329        | 1               |
| 3               | Load Check Spring  | 17030 - 17         | 1               |
| 4               | Plug Assembly      | 16224 - 055        | 1               |
| ~ 5             | O-ring             | 16133 - 10         | 1               |
| 6               | Plug               | NSS                | 1               |
| 7               | Pin                | 39055 - 322        | 1               |
| ~ 8             | O-ring             | 16003 - 4 - 90     | 1               |
| ~ 9             | O-ring             | 16133 - 6          | 1               |
| 10              | Adjustment Cap     | 70422 - 602        | 1               |
| 11              | Set Screw          | 70422 - 620        | 1               |
| 12              | Jam Nut            | 16024 - 4          | 1               |
| ~ 13            | Cover              | 70422 - 619        | 1               |
| 14              | Plug Assembly      | 16226 - 022        | 2               |
| 15              | Plug               | NSS                | 2               |
| ~ 16            | O-ring             | 16003 - 14 - 90    | 2               |
| 17              | Plug Assembly      | 16227 - 024        | 1               |
| 18              | Plug               | NSS                | 1               |
| ~ 19            | O-ring             | 16003 - 212 - 90   | 1               |
| 20              | Spring             | 30501 - 13         | 1               |
| 21              | Plunger            | 33300 - 356        | 1               |
| 22              | Unloading Spool    | NSS                | 1               |
| 23              | Spring             | 17045 - 16         | 1               |
| 24              | Plug Assembly      | 16224 - 053        | 1               |
| ~ 25            | O-ring             | 16003 - 12 - 90    | 1               |
| 26              | Plug               | NSS                | 1               |
| 27              | Flow Divider Spool | NSS                | 1               |
| ~               | Seal Repair Kit    | 39055 - 906        |                 |

NSS Not sold separately

---

Eaton Corporation  
Hydraulics Division  
15151 Hwy. 5  
Eden Prairie, MN 55344  
Telephone 612/937-9800  
Fax 612/937-7130

Eaton Ltd.  
Hydraulics Division  
Glenrothes, Fife  
Scotland, KY7 4NW  
Telephone 01-592-771-771  
Fax 01-592-773-184

Eaton GmbH  
Hydraulics Products  
Am Schimmersfeld 7  
40880 Ratingen, Germany  
Telephone 02102-406-830  
Fax 02102-406-800



Quality System Certified  
Products in this catalog are manufactured  
in an ISO-9001-certified site.