

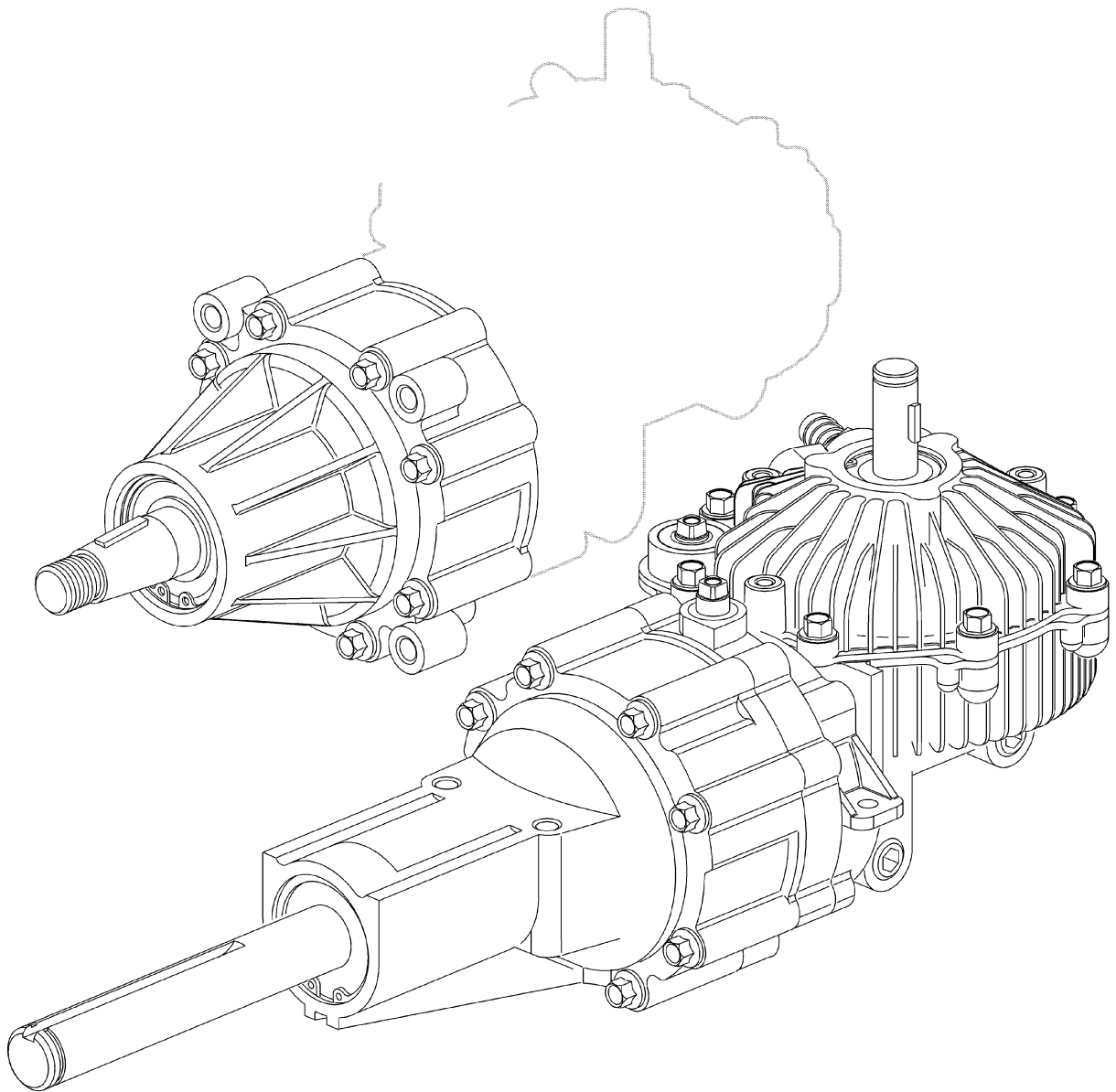
EATON

Hydraulics

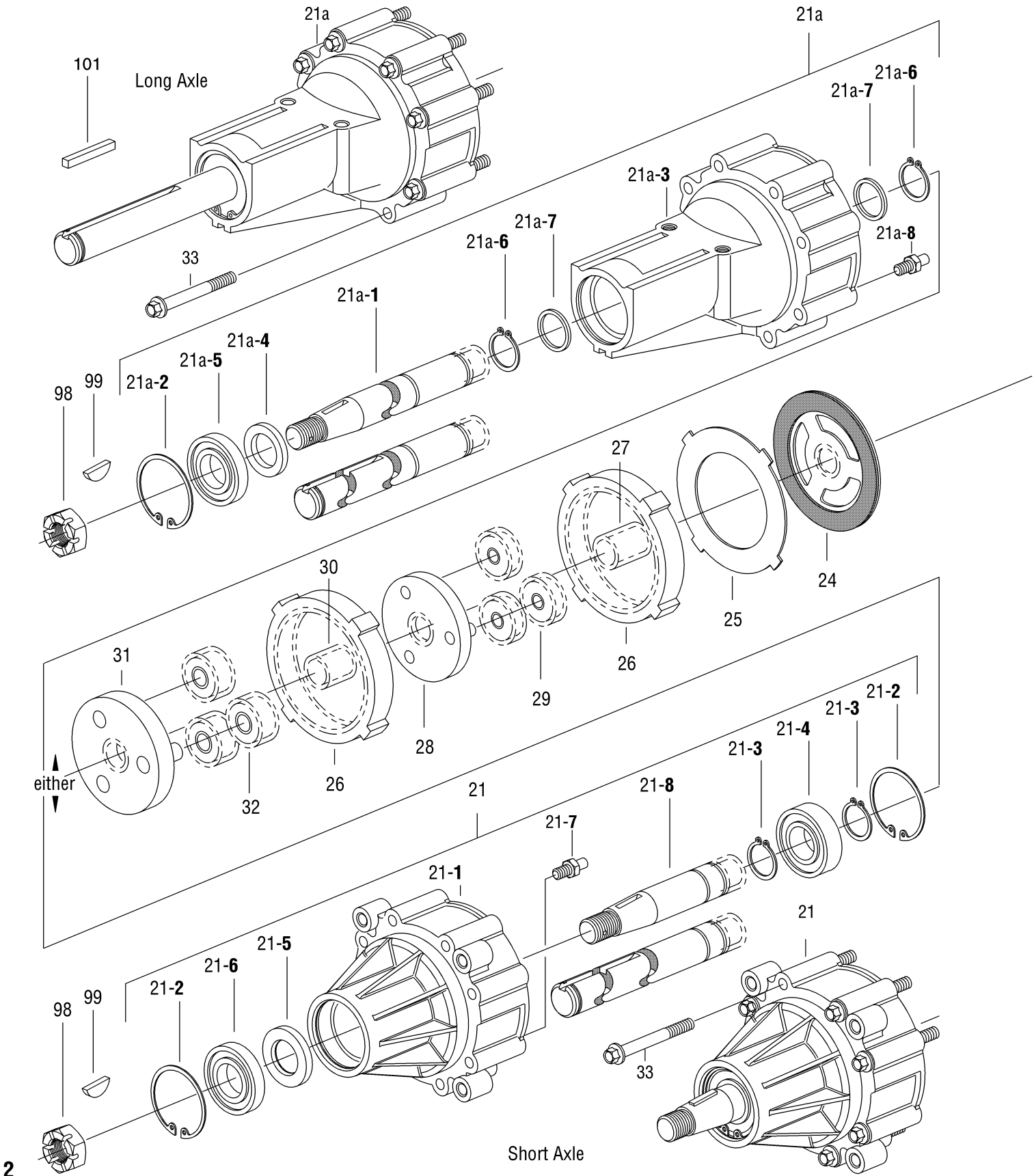
Hydrostatic Transaxle

Model 778

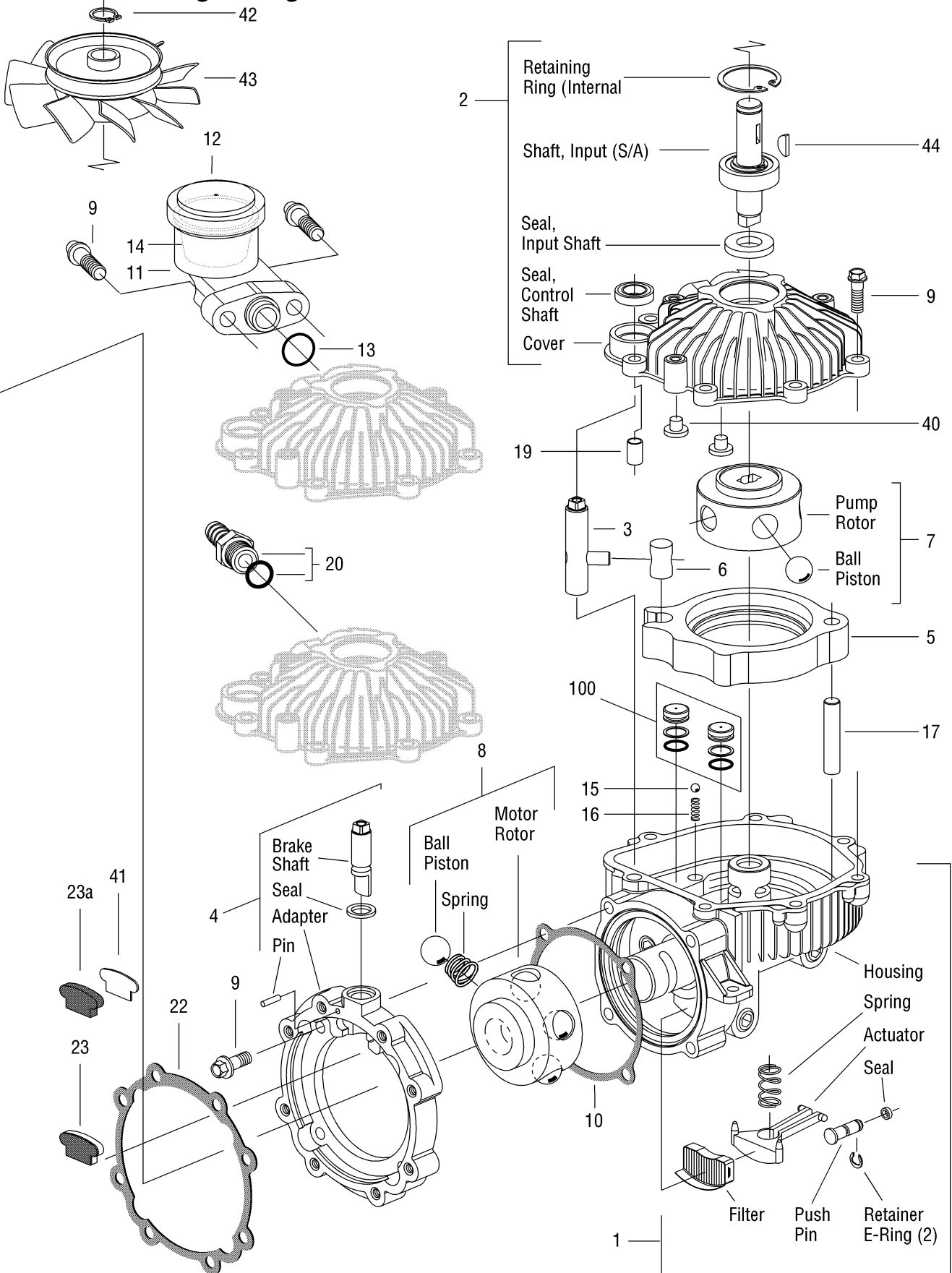
Right Angle Transaxle



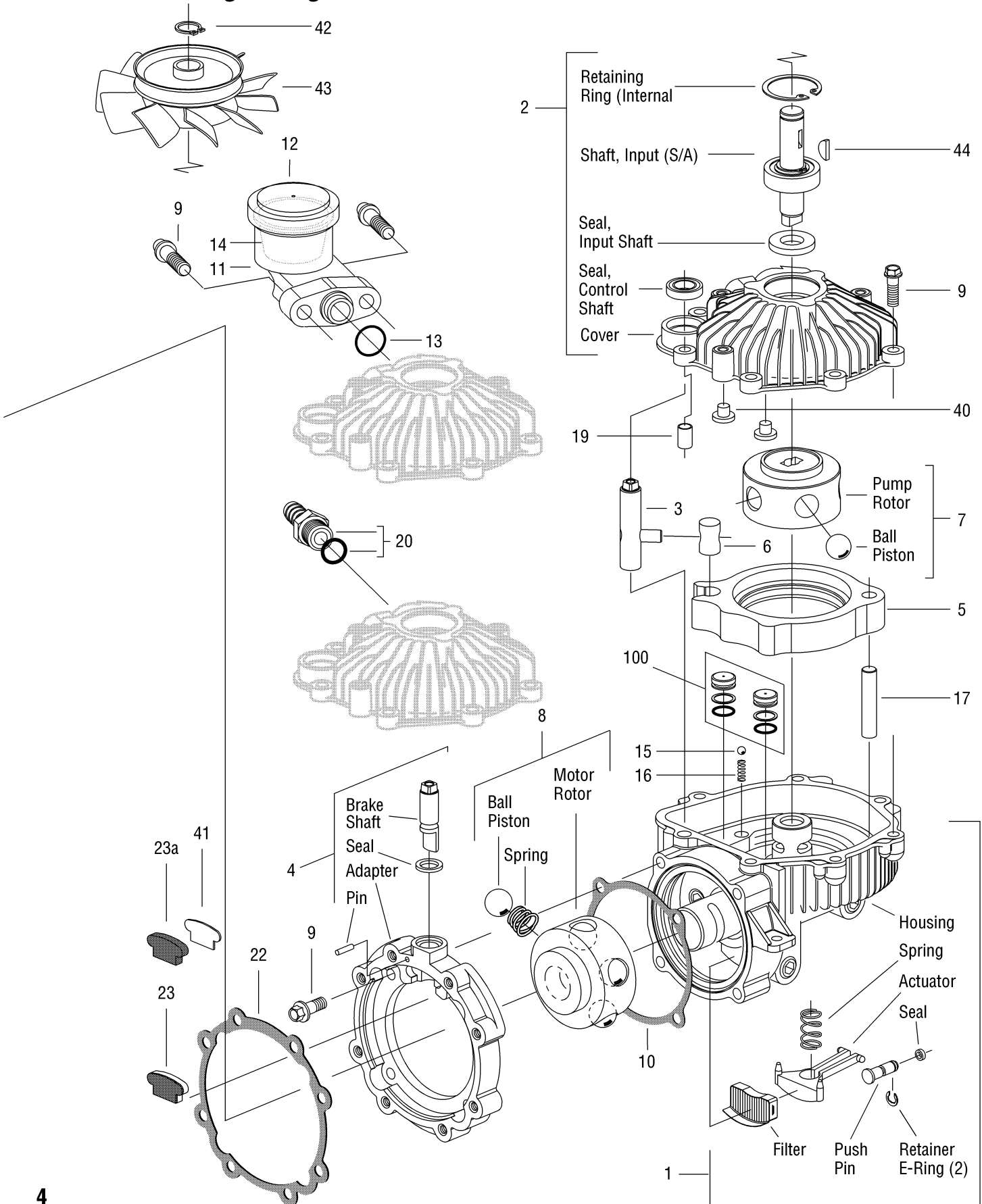
Model 778 Right Angle Transaxle



Model 778 Right Angle Transaxle



Model 778 Right Angle Transaxle (page 3 duplicated)



Ref. No.	Part Number	Description	Quantity	
1	109178-000	Housing (S/A)—for Barb Fitting	1	
1	109394-000	Housing (S/A)—for Reservoir	1	
	NSS	Housing	1	
	109204-000	Filter	1	
	108240-000	Actuator	1	
	107259-000	Spring	1	
	96098-031	Retainer, E-Ring	1	
	107258-000	Actuator Pin	1	
X	16051-003	Seal	1	
2	108612-000	Input Cover (S/A)	1	
	NSS	Cover	1	
	101680-156	Retaining Ring (Internal)	1	
	107253-000	Shaft, Input (S/A)	1	
X	107094-000	Seal, Input Shaft	1	
X	93895-000	Seal, Control Shaft	1	
3	107188-000	Control Shaft (S/A)	1	
4	109461-000	Adapter/Brake (S/A)	1	
	16028-205	Dowel Pin	1	
	108526-000	Brake Shaft	1	
X	108618-000	Seal	1	
5	107187-000	Cam Ring (S/A)	1	
6	103621-000	Insert	1	
7	107105-000	Pump Rotor/Ball (S/A)	1	
8	108590-000	Motor Rotor/Ball/Spring (S/A)	1	
9	104436-100	Screw, Self Tap	11	
X	10	109723-000	Gasket	1
11	108389-000	Reservoir	1	
12	108388-000	Cover	1	
X	13	8761-115	O-ring	1
14	109543-000	Diaphragm	1	
15	95881-038	Ball (Grade 200)	1	
16	107236-000	Spring	1	
17	95906-200	Dowel	1	
19	107984-000	Dowel, Bushing	1	
20	106285-000	Barb Fitting/O-ring (S/A)	1	
X	8785-010	O-ring	1	
Long Axle Housing				
21a	106508-001	Axle Housing S/A (Straight)	1	
21a	106215-002	Axle Housing S/A (Tapered)	1	
21a-1	106507-001	Shaft, Axle (Straight)	1	
	109216-002	Shaft, Axle (Tapered)	1	
21a-2	101680-206	Retaining Ring (Internal)	1	
21a-3	106162-000	Axle Housing	1	
X 21a-4	103960-000	Seal, Radial Lip	1	
21a-5	104928-000	Bearing, Ball	1	
21a-6	103983-098	Retaining Ring (External)	2	
21a-7	103966-000	Thrust Washer	2	
21a-8	106190-000	Magnet (S/A)	1	

Ref. No.	Part Number	Description	Quantity
Short Axle Housing			
21	109610-000	Axle Housing S/A (Straight)	1
21	X109957-000	Axle Housing S/A (Tapered)	1
21-1	109044-000	Axle Housing	1
21-2	101680-206	Retaining Ring (Internal)	2
21-3	103983-098	Retaining Ring (External)	2
21-4	109042-000	Bearing, Ball (No Seal)	1
X 21-5	109043-000	Seal, Radial Lip	1
21-6	104928-000	Bearing, Ball	1
21-7	106190-000	Magnet (S/A)	1
21-8	109583-000	Shaft, Axle (Straight)	1
	X109956-000	Shaft, Axle (Tapered)	1

continued

Ref. No.	Part Number	Description	Quantity
X 22	108548-000	Axle Housing, Gasket	1
23	106054-000	Pad, Friction (S/A)	1
23a	109401-000	Pad, Friction	1
24	106413-000	Plate, Reaction	1
25	106104-000	Plate, Backup	1
26	106124-000	Gear, Ring 54T	2
27	104339-000	18T Sun Gear, First	1
28	109182-000	18T Primary Carrier (S/A)	1
29	106151-000	18T Planet Gear, First	3
30	104813-000	18T Sun Gear, Second	1
31	106137-000	Secondary Carrier (S/A)	1
32	106159-000	18T Planet Gear (S/A), Second	3
33	103757-225	1/4-20 Thread Hex Flange Screw	8
40	101597-000	Button	2
41	109402-000	Spacer, Brake Pad	1
42	96098-006	Retaining Ring (External)	1
43	109197-000	Fan/Sheeve (S/A)	1
44	96281-061	Woodruff Key (Input Shaft)	1
98	104219-000	Slotted Hex Nut (Tapered Shaft)	1
99	104230-000	Woodruff Key (Tapered Shaft)	1
100	105814-000	Piston (S/A)	2
101	104167-000	Square Key (Straight Shaft)	1
X	990726-000	Seal Kit—Contains Parts Indicated by X	

A/R - as Required (S/A) - Sub Assy.

NSS — Not Sold Separately (N/A) - Not Available

**Magnet (S/A) - Not Shown (Removal Not Recommended)

*** See Chart on Page 5 and 6 — Housing (S/A)

Hydrostatic Transaxle

Model 778 Right Angle Transaxle

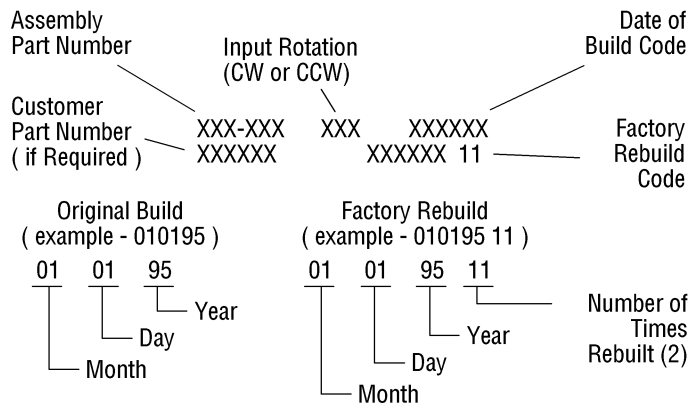
How to Order Replacement Parts

Each Order Must Include the Following:

1. Product Number
2. Date Code
3. Part Name
4. Part Number
5. Quantity of Parts

For More Detailed Information Contact Eaton Corp. Hydraulics Division 15151 Highway 5 Eden Prairie, MN 55344.

- Specifications and performance data, Catalog No. 11-701
- When servicing Model 778 Transmission refer to Repair Information No. 7-418. This repair manual lists tools required, and step by step disassembly and reassembly procedures.



Eaton
14615 Lone Oak Road
Eden Prairie, MN 55344
USA
Tel: 952 937-9800
Fax: 952 974-7722
www.hydraulics.eaton.com

Eaton
20 Rosamond Road
Footscray
Victoria 3011
Australia
Tel: (61) 3 9319 8222
Fax: (61) 3 9318 5714

Eaton
46 New Lane, Havant
Hampshire PO9 2NB
England
Tel: (44) 23 92 486 451
Fax: (44) 23 92 487 110