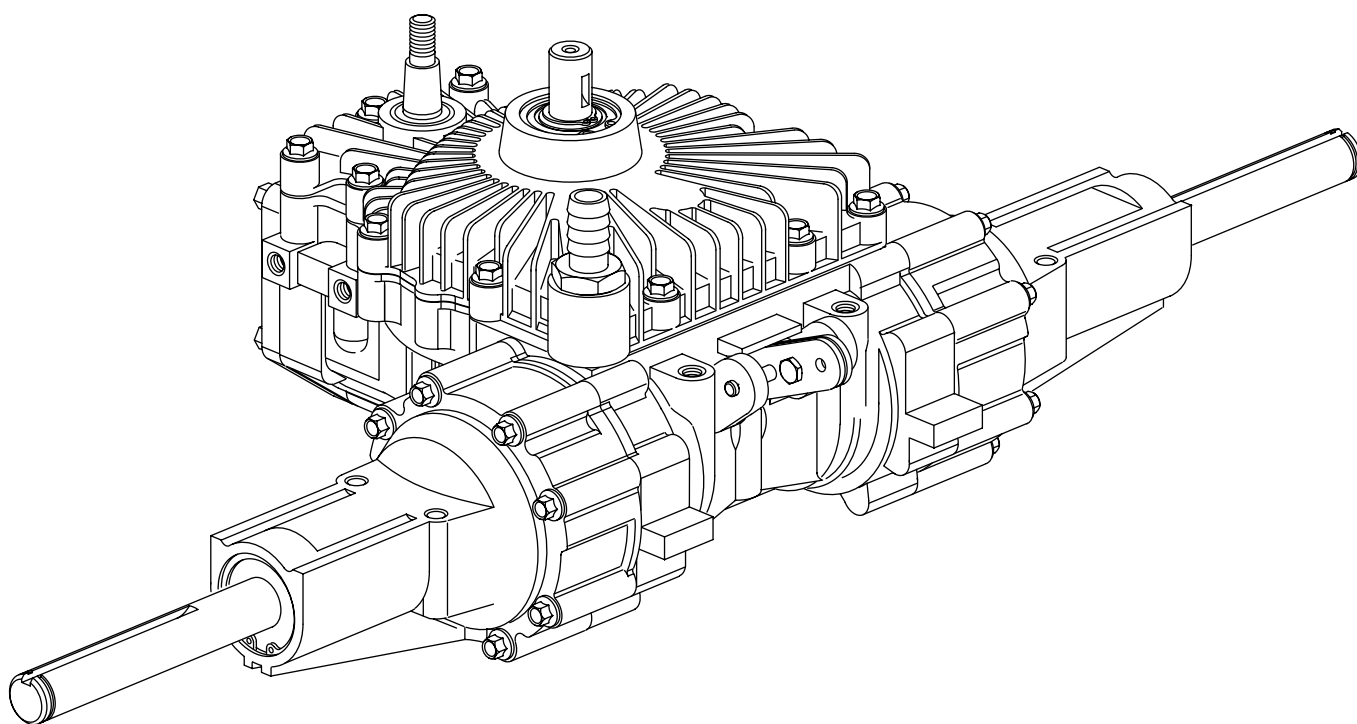


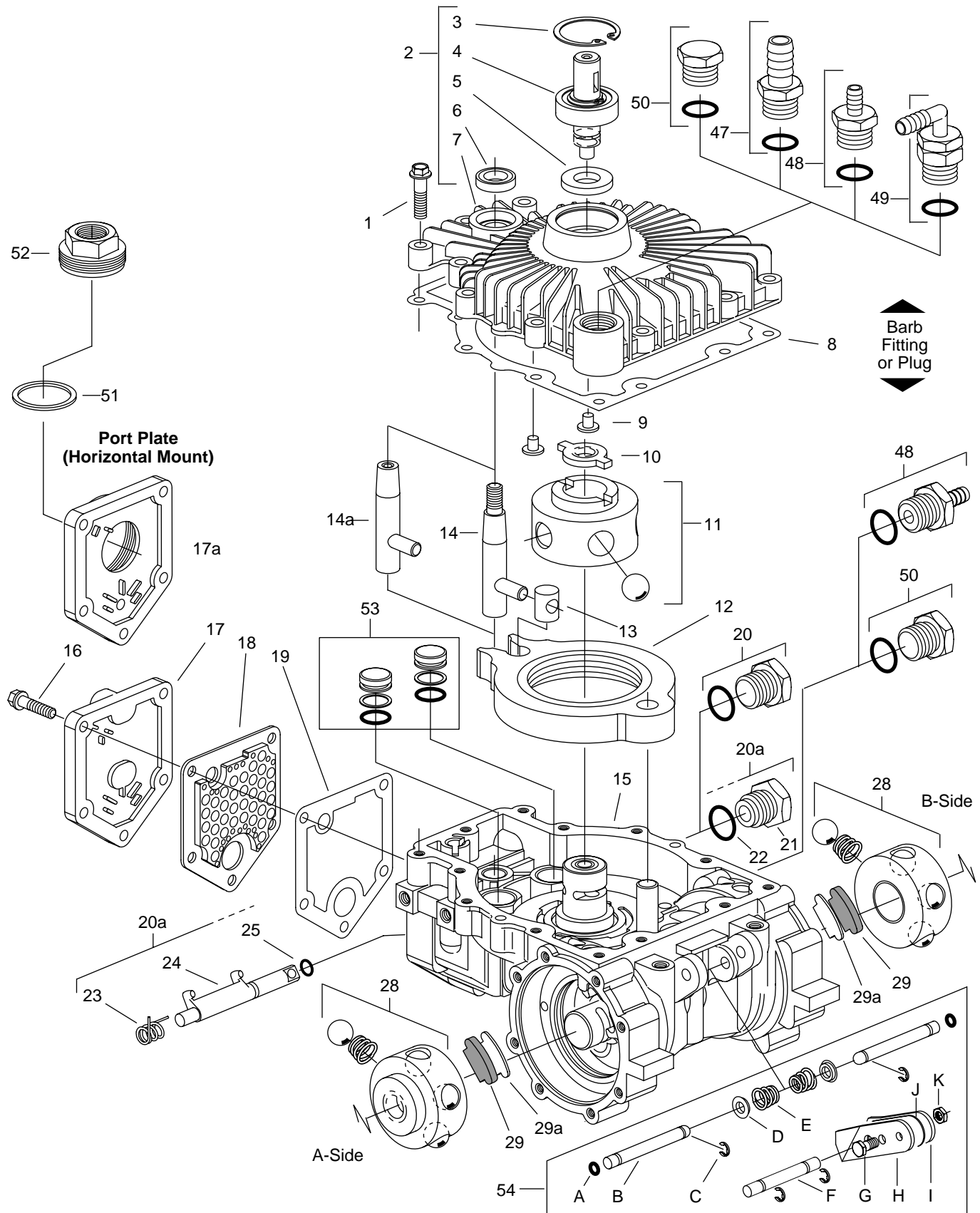


## Parts Information



Transaxle Series 751

# Series 751



Ref. No.	Part Number	Description	Qty.	Ref. No.	Part Number	Description	Qty.
1	104436-100	Screw, 1/4-20 Self Tap	13	35	106157	18T Primary Carrier (S/A)	2
2	106071	Cover (S/A)	1		106174	15T Primary Carrier (S/A)	2
3	101680-156	Ring, Retaining, Internal	1	36	104813	18T Sun Gear, Second	2
4	106073	Shaft, Input (S/A)	1		104812	15T Sun Gear, Second	2
5	93955	Seal, Input Shaft	1	37	106159	18T Plnt Gear (S/A) Second	6
6	93895	Seal, Control Shaft	1		106169	21T Plnt Gear (S/A) Second	6
7	106070	Cover	1	38	106137	Secondary Carrier (S/A)	2
8	105327	Gasket, Cover	1	<b>39</b>	106178-000	<b>Axle Housing (S/A) A-Side</b>	1
9	101597	Button	2	<b>39a</b>	106178-000	<b>Axle Housing (S/A) B-Side</b>	1
10	104107	Drive	1		106190**	Magnet (S/A)	2
11	105228	Pump Rotor/Ball (S/A)	1	40	106162	Housing, Axle	2
	104415	Pump Rotor/Ball/Pin (S/A)	1	41	103983-098	Ring, Retaining, External	4
12	105813	Cam Ring (S/A)	1	42	103966	Thrust Washer	4
13	103621	Insert	1	43	101680-206	Ring, Retaining, Internal	2
14	103611	Control Shaft, External Thrd.	1	44	104928	Bearing, Ball	2
14a	104935	Control Shaft, Internal Thrd.	1	45	103960	Seal, Radial Lip	2
15	***	Housing (S/A)	1	46	106177-000	Shaft, Axle — A-Side	1
16	103757-088	Screw, 1/4-20 Hex Flange	5		106177-000	Shaft, Axle — B-Side	1
17	106201	Cover, Valve	1	47	106285	.625 Str. Fitting/O-ring (S/A)	A/R
17a	106385	Port Plate (Horiz. Mount)	1	48	106631	.375 Str. Fitting/O-ring (S/A)	A/R
18	106202	Filter (Internal)	1	49	105636	.375 90° Fitting/O-ring (S/A)	A/R
19	106200	Gasket	1	50	106008	Plug/O-ring (S/A)	A/R
20	106008	Plug/Seal (S/A) <b>No Dump V</b>	1		8785-010	O-ring for Fittings (47-50)	A/R
	8785-010	Seal, O-ring	1	51	8771-130	Seal, Square Cut	1
<b>20a</b>		<b>Dump Valve Parts</b>	1	52	101264	Adapter, 7/8-14 O-ring Port	1
21	104664	Nut, Dump Valve Fitting	1	<b>53</b>	***	<b>Piston, Dampening</b>	
22	8785-010	Seal, O-ring	1		104962	Piston (S/A)	2
23	104684	Spring, Dump Valve	1		105814*	Piston (S/A)	2
24	105660	Bracket, Dump Valve	1	<b>54</b>		<b>Brake Lever Parts</b>	
25	8761-013	Seal, O-ring	1	A	106450	Quad Seal	2
26	103757-225	Screw 5/16 Hex Flange	16	B	106079	Rod, Push	2
27	106129	Gasket, Axle Housing	2	C	106437-000	E-Ring	4
28	104073	18T Motor Rotor/Ball (S/A)	2	D	106784	Spring Base (S/A)	2
	104551	15T Motor Rotor/Ball (S/A)	2	E	106078	Spring, Conical	2
29	110185	Pad, Friction	2	F	106261	Shaft, Brake	1
29a	110186	Spacer	2	G	16032-406P	Screw, Cap, Hex	1
30	106413	18T Plate, Reaction	2	H	106128-001	Lever, Brake RH	1
	106414	15T Plate, Reaction	2	I	106128-002	Lever, Brake LH	1
31	106104	Plate, Backup	2	J	106144-XXX	Shim	A/R
32	104339	18T Sun Gear, First	2	K	16188-4	Nut, Hex, Lock	1
	104338	15T Sun Gear, First	2	101	104167-000	Square Key (Straight Shaft)	2
33	106124	Gear, Ring 54T	4				
	106027	Gear, Ring 57T	4				
34	106151	18T Planet Gear (S/A) First	6				
	106167	21T Planet Gear (S/A) First	6				

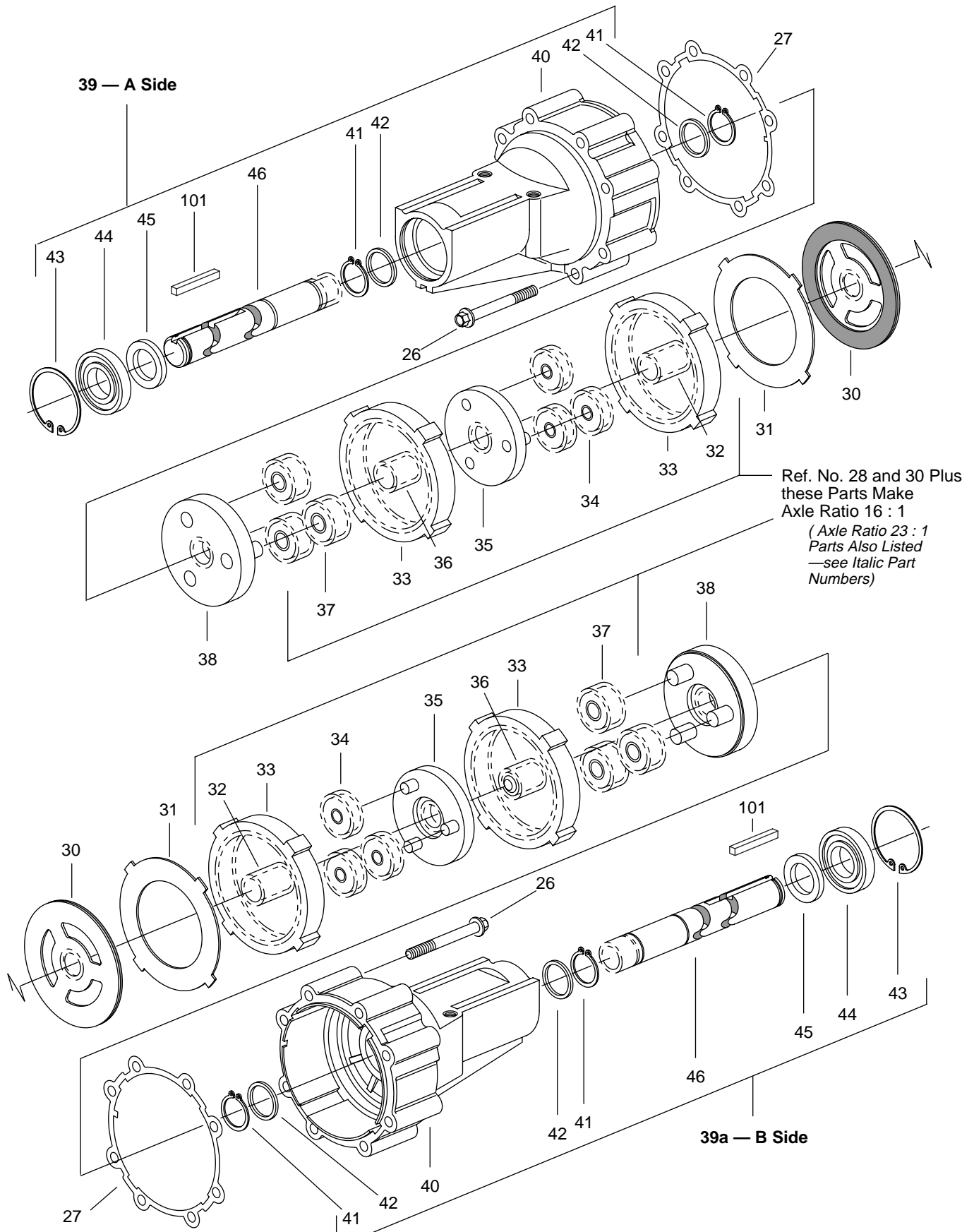
\*\*\* See Chart on Page 6 — Housing (S/A)

\*Piston, Dampening (S/A) - Wide Band Neutral - Not Shown (has orifice hole through center).

A/R - as Required (S/A) - Sub Assembly

\*\*Magnet (S/A) - Not Shown (Removal Not Recommended)

# Series 751



Page 3 Duplicated

Ref. No.	Part Number	Description	Qty.
1	104436-100	Screw, 1/4-20 Self Tap	13
2	106071	Cover (S/A)	1
3	101680-156	Ring, Retaining, Internal	1
4	106073	Shaft, Input (S/A)	1
5	93955	Seal, Input Shaft	1
6	93895	Seal, Control Shaft	1
7	106070	Cover	1
8	105327	Gasket, Cover	1
9	101597	Button	2
10	104107	Drive	1
11	105228	Pump Rotor/Ball (S/A)	1
	104415	Pump Rotor/Ball/Pin (S/A)	1
12	105813	Cam Ring (S/A)	1
13	103621	Insert	1
14	103611	Control Shaft, External Thrd.	1
14a	104935	Control Shaft, Internal Thrd.	1
15	***	Housing (S/A)	1
16	103757-088	Screw, 1/4-20 Hex Flange	5
17	106201	Cover, Valve	1
17a	106385	Port Plate (Horiz. Mount)	1
18	106202	Filter (Internal)	1
19	106200	Gasket	1
20	106008	Plug/Seal (S/A) <b>No Dump V</b>	1
	8785-010	Seal, O-ring	1
<b>20a</b>		<b>Dump Valve Parts</b>	1
21	104664	Nut, Dump Valve Fitting	1
22	8785-010	Seal, O-ring	1
23	104684	Spring, Dump Valve	1
24	105660	Bracket, Dump Valve	1
25	8761-013	Seal, O-ring	1
26	103757-225	Screw 5/16 Hex Flange	16
27	106129	Gasket, Axle Housing	2
28	104073	18T Motor Rotor/Ball (S/A)	2
	104551	15T Motor Rotor/Ball (S/A)	2
29	110185	Pad, Friction	2
29a	110186	Spacer	2
30	106413	18T Plate, Reaction	2
	106414	15T Plate, Reaction	2
31	106104	Plate, Backup	2
32	104339	18T Sun Gear, First	2
	104338	15T Sun Gear, First	2
33	106124	Gear, Ring 54T	4
	106027	Gear, Ring 57T	4
34	106151	18T Planet Gear (S/A) First	6
	106167	21T Planet Gear (S/A) First	6

\*\*\* See Chart on Page 6 — Housing (S/A)

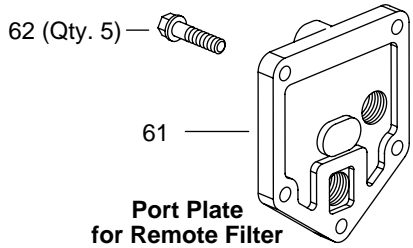
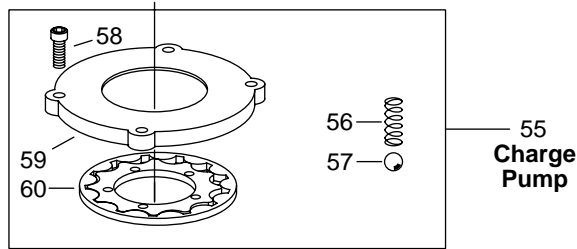
Ref. No.	Part Number	Description	Qty.
35	106157	18T Primary Carrier (S/A)	2
	106174	15T Primary Carrier (S/A)	2
36	104813	18T Sun Gear, Second	2
	104812	15T Sun Gear, Second	2
37	106159	18T Plnt Gear (S/A) Second	6
	106169	21T Plnt Gear (S/A) Second	6
38	106137	Secondary Carrier (S/A)	2
<b>39</b>	106178-000	<b>Axle Housing (S/A) A-Side</b>	1
<b>39a</b>	106178-000	<b>Axle Housing (S/A) B-Side</b>	1
	106190**	Magnet (S/A)	2
40	106162	Housing, Axle	2
41	103983-098	Ring, Retaining, External	4
42	103966	Thrust Washer	4
43	101680-206	Ring, Retaining, Internal	2
44	104928	Bearing, Ball	2
45	103960	Seal, Radial Lip	2
46	106177-000	Shaft, Axle — A-Side	1
	106177-000	Shaft, Axle — B-Side	1
47	106285	.625 Str. Fitting/O-ring (S/A)	A/R
48	106631	.375 Str. Fitting/O-ring (S/A)	A/R
49	105636	.375 90° Fitting/O-ring (S/A)	A/R
50	106008	Plug/O-ring (S/A)	A/R
	8785-010	O-ring for Fittings (47-50)	A/R
51	8771-130	Seal, Square Cut	1
52	101264	Adapter, 7/8-14 O-ring Port	1
<b>53</b>	***	<b>Piston, Dampening</b>	
	104962	Piston (S/A)	2
	105814*	Piston (S/A)	2
<b>54</b>		<b>Brake Lever Parts</b>	
A	106450	Quad Seal	2
B	106079	Rod, Push	2
C	106437-000	E-Ring	4
D	106784	Spring Base (S/A)	2
E	106078	Spring, Conical	2
F	106261	Shaft, Brake	1
G	16032-406P	Screw, Cap, Hex	1
H	106128-001	Lever, Brake RH	1
I	106128-002	Lever, Brake LH	1
J	106144-XXX	Shim	A/R
K	16188-4	Nut, Hex, Lock	1
101	104167-000	Square Key (Straight Shaft)	2

\*Piston, Dampening (S/A) - Wide Band Neutral - Not Shown (has orifice hole through center).

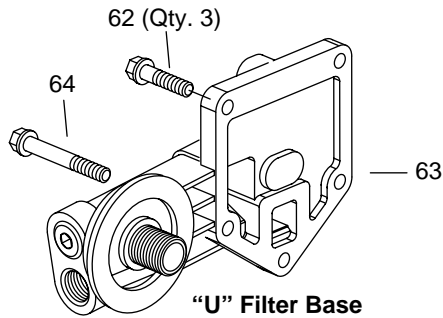
A/R - as Required (S/A) - Sub Assembly

\*\*Magnet (S/A) - Not Shown (Removal Not Recommended)

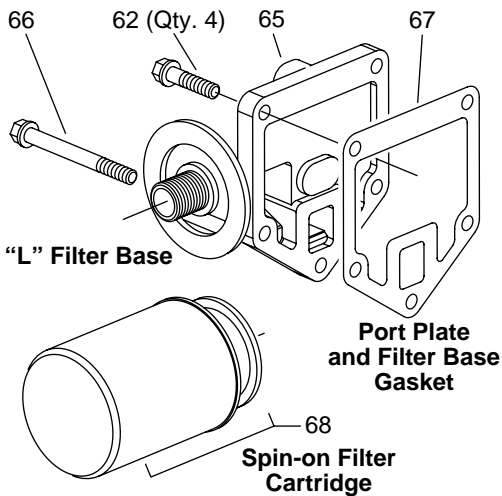
# Series 751



**Port Plate for Remote Filter**



**"U" Filter Base**



**"L" Filter Base**

**Port Plate and Filter Base Gasket**

**Spin-on Filter Cartridge**

Ref. No.	Part Number	Description	Qty.
55	***	Charge Pump	1
56	104421	Spring	1
57	95881-038	Ball	1
58	101676-088	Screw, Cap, Socket	4
59	104467	Plate, Pump (Class II)	1
60	104466	Gerotor (Class II)	1
59 and 60	104701	Plate, Pump and Gerotor (High Pressure)	1
61	104531	Plate, Port	1
62	103757-088	Screw, 1/4-20 Hex Flange	A/R
63	104382	Filter Base "U"	1
	104384	Filter Base "U" w/Ports (2)	1
64	103757-250	Screw, 1/4 20 Hex Flange	2
65	104386	Filter Base "L"	1
66	103757-375	Screw, 1/4-20 Hex Flange	1
67	104392	Gasket	1
68	103144	Filter	1

\*\*\* See Chart Below — Housing (S/A)

Reference Number 15 Housing (S/A)

		No Wide Band Neutral (53)			Wide Band Neutral (53)		
		No Charge Pump	Charge Pump* (55)	High Press. Charge Pump	No Charge Pump	Charge Pump* (55)	High Press. Charge Pump
CW	Standard	106138	106179	106209	106298	106304	106705
	Special	—	—	—	—	—	—
CCW	Standard	—	106208	106584	—	—	—
	Special	106226	—	—	—	—	—

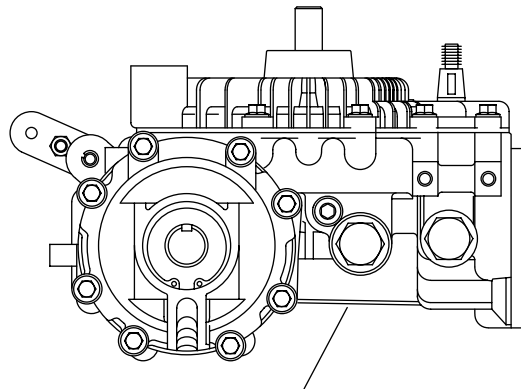
\* Class II

# Series 751

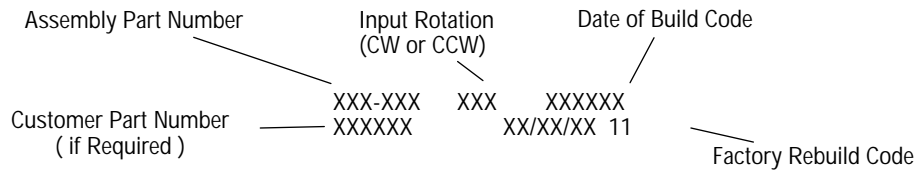
## How to Order Replacement Parts

Each Order Must Include the Following:

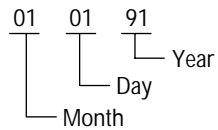
1. Product Number
2. Date Code
3. Part Name
4. Part Number
5. Quantity of Parts



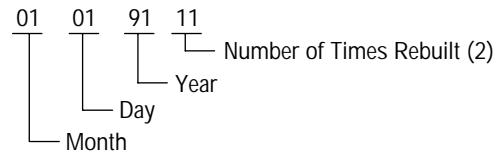
Part Number, Date of Assembly, and Input Rotation Stamped on this Surface



Original Build ( example - 010191 )



Factory Rebuild ( example - 01/01/91 11 )



# Series 751

Eaton Corporation  
Hydraulics Division  
15151 Hwy. 5  
Eden Prairie, MN 55344  
Telephone: 612/937-7254  
Fax: 612/937-7130

Sumitomo Eaton  
Hydraulic Company Ltd.  
Ooi-Cho Kameoka-Shi  
621-0017 Kyoto  
Japan  
Telephone: [+81] 771-22-9601  
Fax: [+81] 771-29-2020

Eaton Ltd.  
Hydraulics Division  
Glenrothes, Fife  
Scotland, KY7 4NW  
Telephone: [+44] (0)1592-771-771  
Fax: [+44] (0)1592-773-184

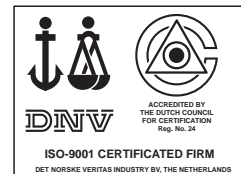
Eaton Ltd.  
7th Floor, Woo Duk Building  
832-2 Yeoksam-Dong, Kangnam-Ku  
Soeul 135-750  
Korea  
Telephone: [+82] 2-557-0595  
Fax: [+82] 2-557-1634

Eaton B.V.  
Boeing Avenue 11  
1119 PC Schiphol-Rijk  
The Netherlands  
Telephone: [+31] (0)20-655 6776  
Fax: [+31] (0)20-655 6800

Eaton Hydraulics (Shanghai) Co. Ltd.  
388 Aidu Road, Waigaogiao FTZ  
Pudong New Area  
Shanghai 200137  
Peoples Republic of China  
Telephone: [+86] 21-5046 0758  
Fax: [+86] 21-5046 0767

Sumitomo Eaton Hydraulic Co.  
8 Temasek Blvd.  
42-01 Suntec Tower Three  
Singapore 03988  
Telephone: [+65] 832-7727  
Fax: [+65] 832-7733

Jining Eaton Hydraulic Co. Ltd.  
6 Ji Da Road  
Jining City  
Shandong Province 272131  
Peoples Republic of China  
Telephone: [+86] 537-2221288  
Fax: [+86] 537-2221557



Quality System Certified  
Products in this catalog are manufactured  
in an ISO-9001-certified site.