

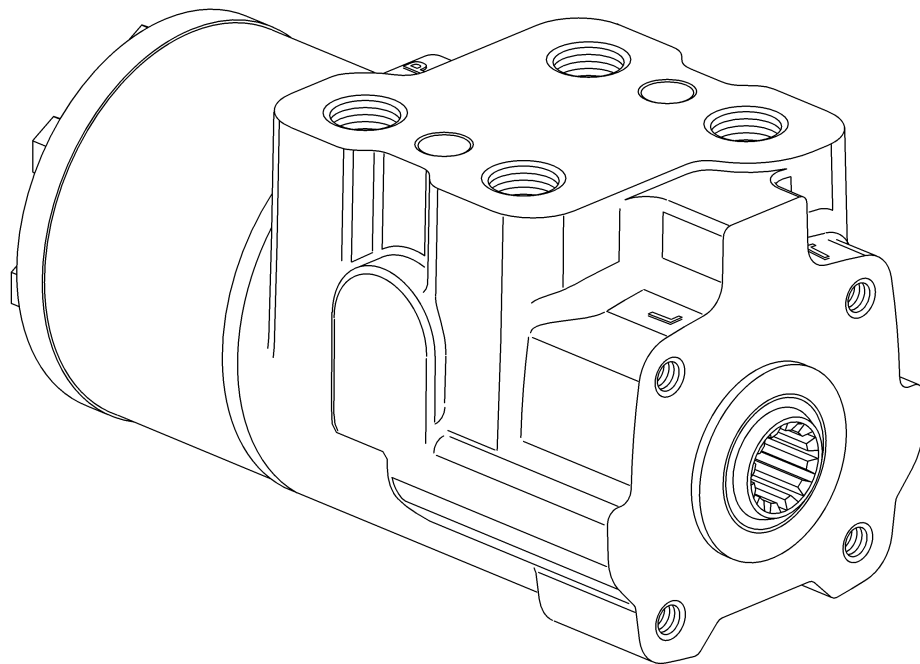
**EATON**

**Char-Lynn**

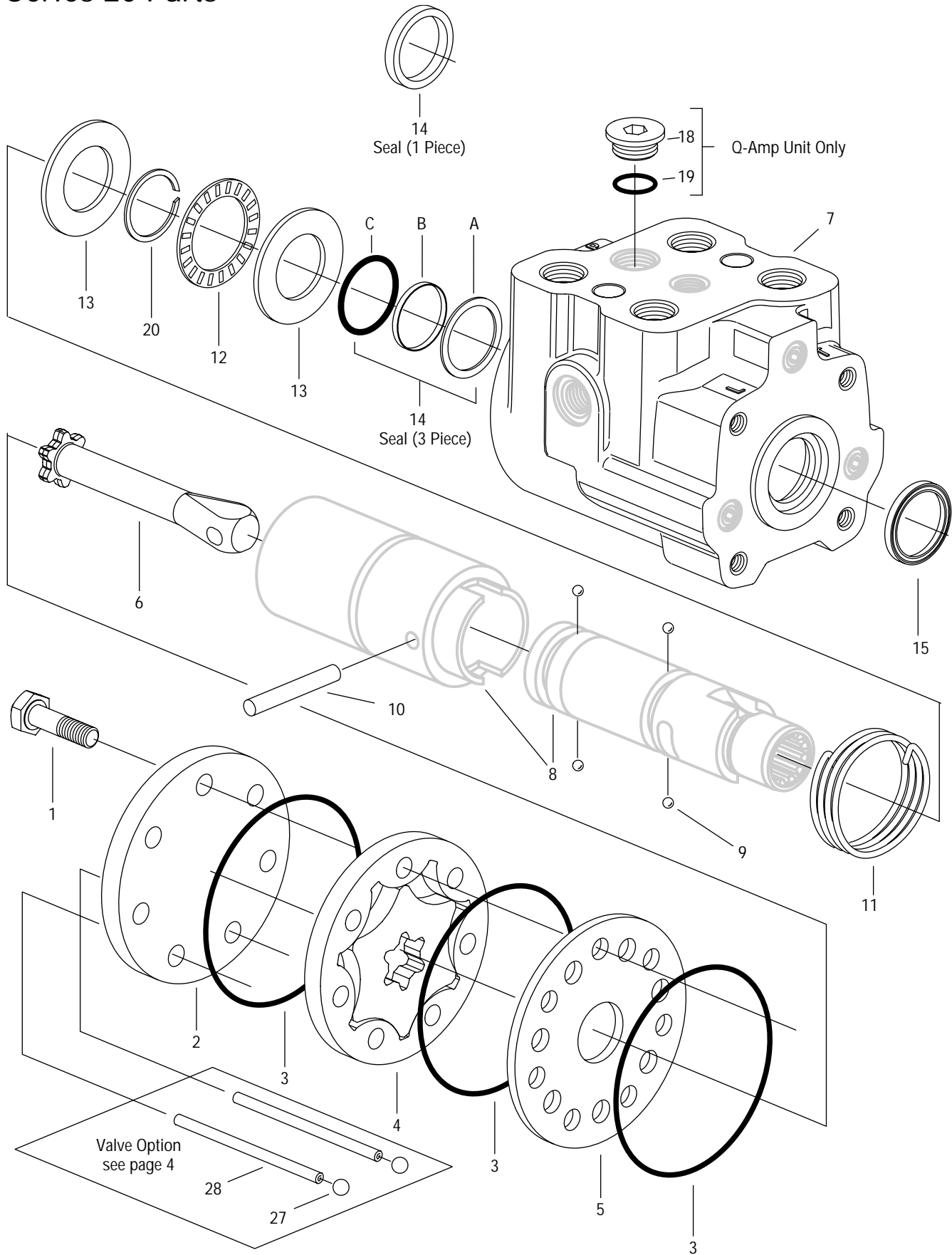
Power Steering

Series 20  
Steering Control Unit

001



# Series 20 Parts



# Series 20 Parts List

Ref. No.	Part Number	Description	Quantity
1	*	Cap Screw	7
2	23902-000	Cap, End	1
X 3	201139-000	Seal, O-ring	3
4	*	Gerotor	1
5	23903-000	Plate, Spacer	1
6	*	Drive	1
7	NSS	Housing	1
8	NSS	Sleeve	1
	NSS	Spool	1
9	285020-050	Ball, Check	0, 4, or 6
10	14606-000	Pin	1
11	230391-000	Spring, Centering (low torque — 2,49 mm [.098 inch] dia. wire)	1
	230415-000	Spring, Centering (standard torque — 2,77 mm [.109 inch] dia. wire)	1
12	7537-000	Bearing, Needle Thrust	1
13	14607-000	Race, Bearing	2
14	9233-001	Seal — One Piece	1
X 14a	14400-000	Backup Washer	1
X b	9092-033	Seal Ring 25,2 mm [.99 in.] ID	} Three Piece Standard
X c	250001-121	O-ring 26,6 mm [1.05 in.] ID	
X 15	844-000	Seal, Dust	1
18	9214-001	Plug	1
19	250003-908	O-ring	1
20	265018-024	Ring Retaining	1
27	18015-000	Ball, Check (see page 4)	2
28	16026-436	Roll Pin (see page 4)	2
X	64533-000	Seal Kit—Contains Parts Indicated by X	

\* See Chart Below                      NSS — Not Sold Separately

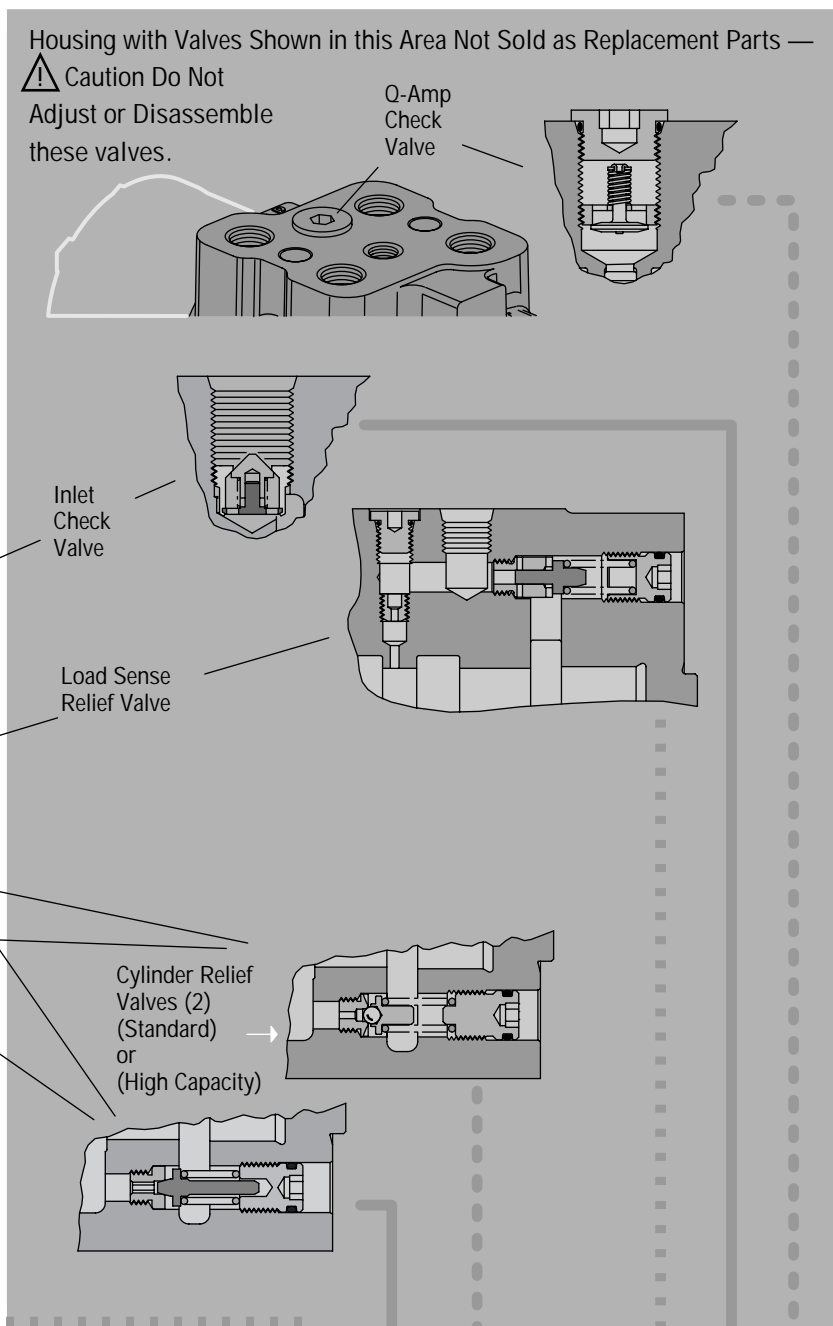
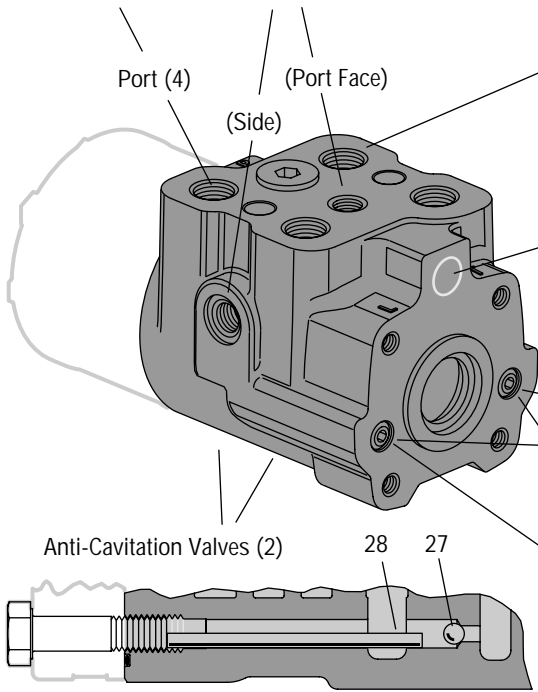
Displ. cm <sup>3</sup> /r [in <sup>3</sup> /r]	Ref. No. 6 Drive	Length mm [inch]	Ref. No. 4 Gerotor	Width mm [inch]	Ref. No. 1 Screw, Cap	Length A mm [inch]	Grade 10,9 (Approximate Equivalent to SAE Grade 8)
60 [ 3.6]	23904-000	99,4 [3.91]	201123-002	6,1 [ .24]	14643-001	30,0 [1.18]	<p>3,8 [.15] Sealant Acceptable in this Area</p> <p>Sealant Loctite Dri-Seal 513</p> <p>M8 x 1,25-6G Hex Cap Screw — 13 mm Across Flats</p>
75 [ 4.5]	23904-000	99,4 [3.91]	201123-003	7,9 [ .31]	14643-002	35,0 [1.38]	
95 [ 5.9]	201864-000	105,9 [4.17]	201123-004	10,2 [ .40]	14643-002	35,0 [1.38]	
120 [ 7.3]	201864-000	105,9 [4.17]	201123-005	12,7 [ .50]	14643-003	40,0 [1.57]	
145 [ 8.9]	201864-000	105,9 [4.17]	201123-006	15,5 [ .61]	14643-003	40,0 [1.57]	
160 [ 9.7]	201864-000	105,9 [4.17]	201123-007	16,8 [ .66]	14643-004	45,0 [1.77]	
185 [11.3]	201864-000	105,9 [4.17]	201123-008	19,6 [ .77]	14643-004	45,0 [1.77]	
230 [14.1]	201864-000	105,9 [4.17]	201123-009	24,4 [ .96]	14643-005	50,0 [1.97]	
295 [17.9]	201864-000	105,9 [4.17]	201123-010	31,0 [1.22]	14643-006	55,0 [2.17]	
370 [22.6]	201864-000	105,9 [4.17]	201123-011	39,1 [1.54]	14643-007	65,0 [2.56]	
460 [28.2]	201864-000	105,9 [4.17]	201123-012	48,8 [1.92]	14643-008	75,0 [2.95]	
590 [35.9]	201864-000	105,9 [4.17]	201123-013	62,2 [2.45]	14643-009	90,0 [3.54]	
740 [45.1]	201864-000	105,9 [4.17]	201123-014	78,2 [3.08]	14643-010	105,0 [4.13]	
985 [60.0]	201864-000	105,9 [4.17]	201123-015	103,9 [4.09]	14643-011	130,0 [5.12]	

\*\*14643-010 17,0 [.67] Min.

All housing valves are factory adjusted on assembled units to a code designation and are not to be changed. This housing (with specified valve pressure settings), the mating spool, and the sleeve are not practical replacement parts.

Port Combinations

Pressure Tank	Load Sensing Port (1) —
Left	Load Sensing Units Only
Right	
3/4 -16	7/16 - 20
G1/2 (BSP)	G1/4 (BSP)
M - 18	M - 12



Steering Control Unit Housing Series

Steering Control Unit Housing Series	Port Size			Load Sensing		Check Valves* Ref. No. 9				
	3/4-16	G 1/2	M-18	Side	Port Face					
-101	•					•				•
-102	•			•		•				•
-103	•				•	•				•
-104	•			•	•	•	•	•		•
-105	•				•	•	•	•		•
-106	•				•	•	•	•		•
-107	•				•	•				•
-306			•		•	•	•			•

\*Manual Steering Check Valves

# Series 20 Parts

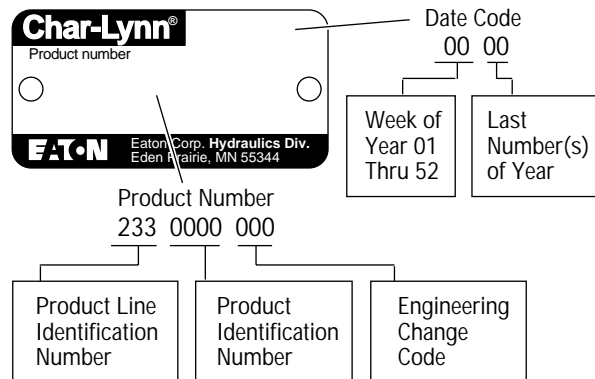
## How to Order Replacement Parts

### Each Order Must Include the Following:

- 1. Product Number
- 2. Date Code
- 3. Part Name
- 4. Part Number
- 5. Quantity of Parts

For More Detailed Information Contact Eaton Corp. Hydraulics Division 15151 Highway 5 Eden Prairie, MN 55344.

- Specifications and performance data, Catalog No. 11-872
- When servicing Series 20 steering control units refer to Repair Information No. 7-313. This repair manual lists tools required, and step by step disassembly and reassembly procedures.



# Series 20 Parts

Notes: \_\_\_\_\_

\_\_\_\_\_

\_\_\_\_\_

\_\_\_\_\_

\_\_\_\_\_

\_\_\_\_\_

\_\_\_\_\_

\_\_\_\_\_

\_\_\_\_\_

\_\_\_\_\_

\_\_\_\_\_

\_\_\_\_\_

\_\_\_\_\_

\_\_\_\_\_

\_\_\_\_\_

\_\_\_\_\_

\_\_\_\_\_

\_\_\_\_\_

\_\_\_\_\_

\_\_\_\_\_

\_\_\_\_\_

\_\_\_\_\_

# Series 20 Parts List

Notes: \_\_\_\_\_

\_\_\_\_\_

\_\_\_\_\_

\_\_\_\_\_

\_\_\_\_\_

\_\_\_\_\_

\_\_\_\_\_

\_\_\_\_\_

\_\_\_\_\_

\_\_\_\_\_

\_\_\_\_\_

\_\_\_\_\_

\_\_\_\_\_

\_\_\_\_\_

\_\_\_\_\_

\_\_\_\_\_

\_\_\_\_\_

\_\_\_\_\_

\_\_\_\_\_

\_\_\_\_\_

\_\_\_\_\_

\_\_\_\_\_

---

Eaton  
14615 Lone Oak Road  
Eden Prairie, MN 55344  
USA  
Tel: 952 937-9800  
Fax: 952 974-7722  
[www.hydraulics.eaton.com](http://www.hydraulics.eaton.com)

Eaton  
20 Rosamond Road  
Footscray  
Victoria 3011  
Australia  
Tel: (61) 3 9319 8222  
Fax: (61) 3 9318 5714

Eaton  
46 New Lane, Havant  
Hampshire PO9 2NB  
England  
Tel: (44) 23 92 486 451  
Fax: (44) 23 92 487 110



**Char-Lynn**

© 2002 Eaton Corporation  
All rights reserved  
Printed in USA  
Document No. 06-326  
February 2003