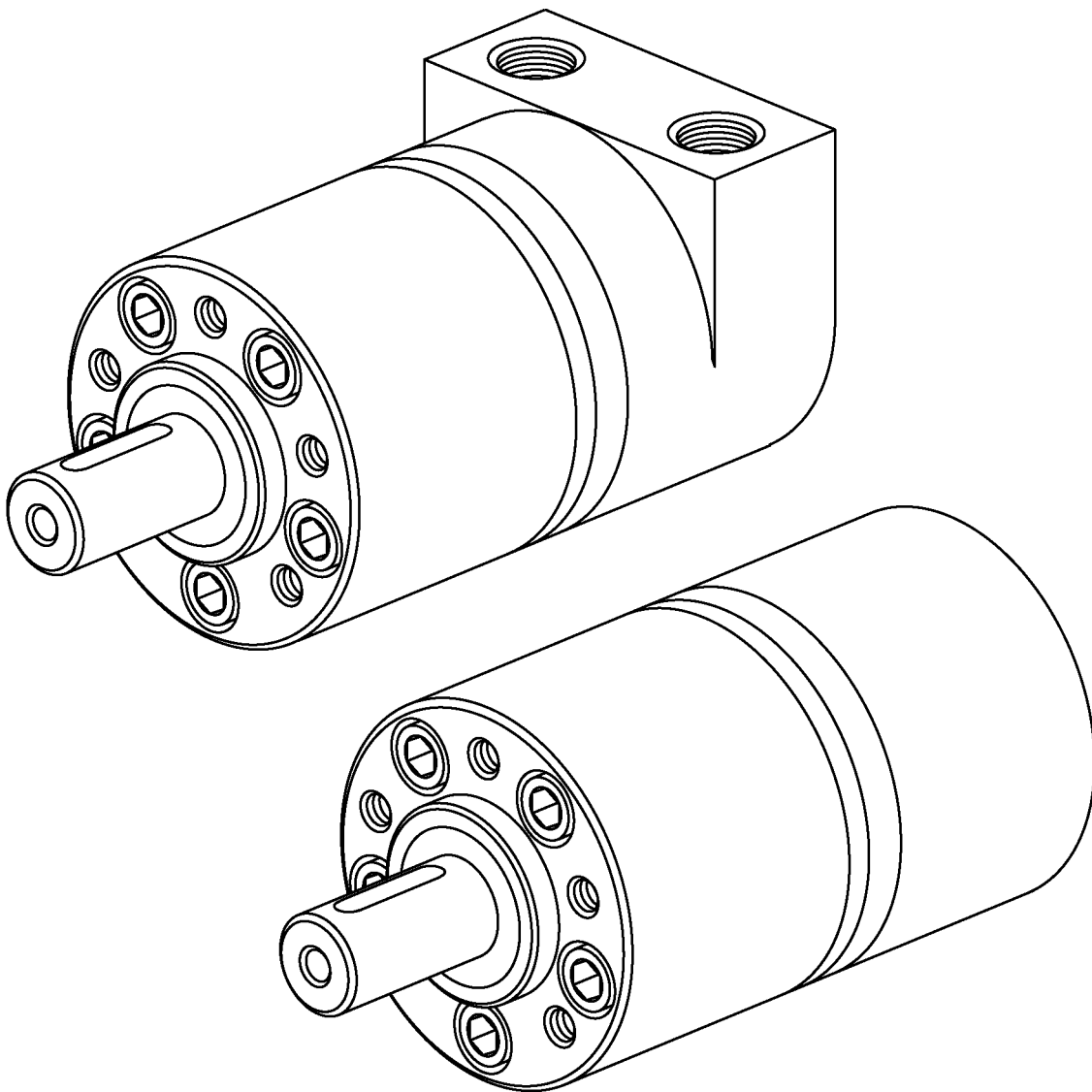


**EATON**

**Char-Lynn<sup>®</sup>**

J Series  
Geroler Motor

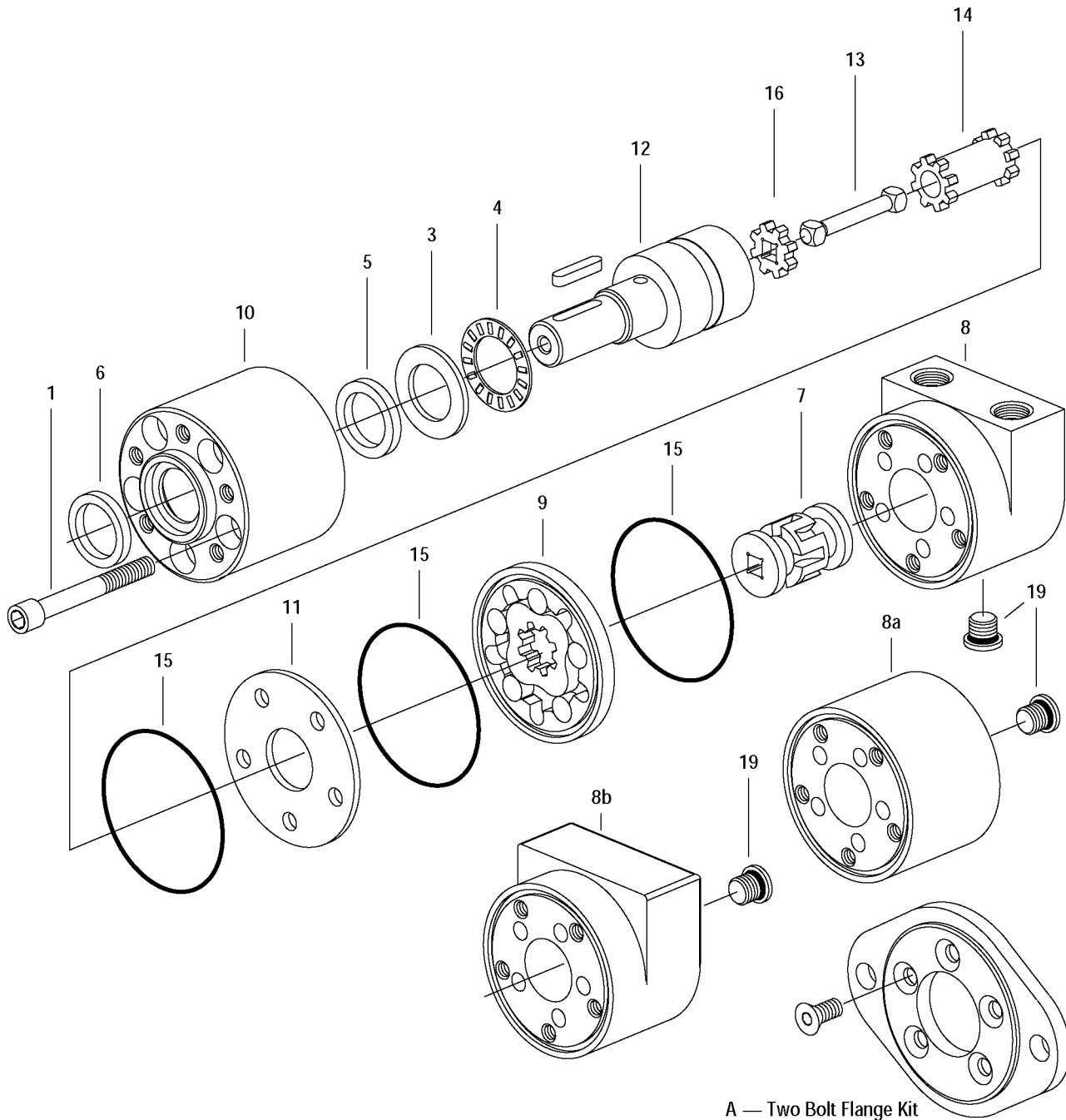
001



# J Series

## Parts Drawing and Parts List

Displacement cm <sup>3</sup> /r [in <sup>3</sup> /r]	Ref. No. 1 Screw, Cap Internal Hex	Length mm [inch]	Ref. No. 13 Drive, Spool	Length mm [inch]	Ref. No. 14 Drive	Length mm [inch]	Ref. No. 9 Geroler®	Length mm [inch]
8,2 [ .50]	16148-422	57,2 [2.25]	23016-001	46,2 [1.82]	23017-001	32,39 [1.275]	201404-001	5,31 [ .209]
12,9 [ .79]	16148-424	64,0 [2.50]	23016-002	49,0 [1.93]	23017-002	35,48 [1.397]	201404-002	8,38 [ .330]
19,8 [1.21]	16148-426	69,9 [2.75]	23016-003	53,8 [2.12]	23017-003	40,03 [1.576]	201404-003	12,83 [ .505]
31,6 [1.93]	16148-430	76,0 [3.00]	23016-004	61,5 [2.42]	23017-004	47,68 [1.877]	201404-004	20,47 [ .806]



Ref. No.	Part Number	Description	Quantity
1	*	Screw, Cap Internal Hex	5
3	16241-C1220	Washer, Thrust	1
4	16241-1220	Bearing, Needle Thrust	1
X 5	9117-015	Seal, Pressure	1
X 6	9121-003	Seal, Exclusion	1
7	23015-000	Spool	1
8	23061-001	Housing, Valve (Side Ports — 9/16-18 UNF)	1
	23061-004	Housing, Valve (Side Ports — M14)	1
	23061-003	Housing, Valve (Side Ports — G 1/4 (BSP))	1
	23061-002	Housing, Valve (Side Ports — G 3/8 (BSP))	1
8a	23018-001	Housing, Valve (End Ports — 9/16-18 UNF)	1
	23018-003	Housing, Valve (End Ports — M14)	1
	23018-002	Housing, Valve (End Ports — G 1/4 (BSP))	1
8b	23333-001	Housing, Valve (End Ports — G 3/8 (BSP))	1
9	*	Geroler®	1
10	23019-001	Housing, Bearing (1/4-28 UNF-2B Mounting Holes)	1
	23019-002	Housing, Bearing (M6 x 1 - 6H)	1
11	23024-000	Plate, Spacer	1
12	23020-001	Shaft, Output (5/8 Straight Keyed)	1
	14535-004	Key (for 5/8 Straight Keyed Shaft)	1
	23020-002	Shaft, Output (16 mm Straight Keyed)	1
	14530-001	Key (for 16 mm Straight Keyed Shaft)	1
	23020-007	Shaft, Output (5/8 Straight with Crosshole)	1
	23020-008	Shaft, Output (3/4 Tapered)	1
	16029-610	Key (.188 x .625 Woodruff Key) (for 3/4 Tapered)	1
	16267-108	Nut, Slotted (1/2-20 UNF x 11,2 [.44] Thick) (for 3/4 Tapered)	1
	23020-004	Shaft, Output (11/16 Straight Keyed)	1
	14535-004	Key (for 11/16 Straight Keyed Shaft)	1
	23020-005	Shaft, Output (18 mm Straight Keyed)	1
	14531-001	Key (for 18 mm Straight Keyed Shaft)	1
	23020-006	Shaft, Output (Involute Splined Metric)	1
13	*	Drive, Spool	1
14	*	Drive	1
X 15	16007-006	Seal, O-ring	3
16	23074-000	Spacer, Output Shaft	1
19	9072-002	Plug/O-ring S/A (3/8-24 UNF Drain Port)	1
X	250003-903	O-ring (for 3/8-24 UNF Plug)	1
	9237-001	Plug/O-ring S/A (M10 Drain Port)	1
X	14581-001	O-ring (for M10 Plug)	1
	9170-001	Plug/O-ring S/A (G 1/8 (BSP) Drain Port)	1
X	14591-001	Ring Seal (for G 1/8 (BSP) Plug)	1
A	60552-000	2 Bolt Flange Kit (for 3/8 Mounting Bolts)	1
	60553-000	2 Bolt Flange Kit (for M8 Mounting Bolts)	1
	60554-000	Seal Kit — Contains Parts Indicated by X	

\* See Chart on Page 2

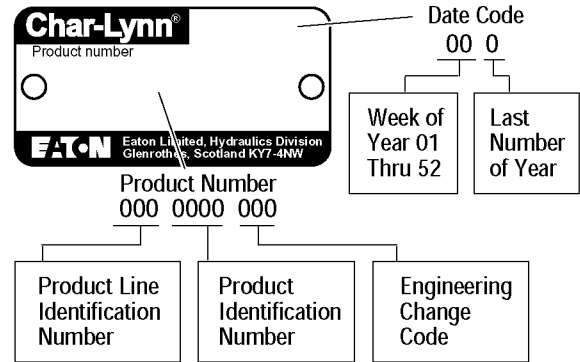
## How to Order Replacement Parts

### Each Order Must Include the Following:

1. Product Number
2. Date Code
3. Part Name
4. Part Number
5. Quantity of Parts

For More Detailed Information Contact Eaton Corp. Hydraulics Division 15151 Highway 5 Eden Prairie, MN 55344.

- Specifications and performance data, Catalog No. 11-104
- When servicing J Series Motors refer to Repair Information No. 7-144. This repair manual lists tools required, and step by step disassembly and reassembly procedures.



Port Location	Port Size	Mounting Holes (5)	Shaft	Displ. cu. cm./rev. [cu. in./rev.]/ Product Numbers				
				8,2 [.50]	12,9 [.79]	19,8 [1.21]	31,6 [1.93]	
End Port Motors	9/16-18 UNF O-ring (2) 3/8-24 UNF Drain Port (1)	1/4-28 UNF 2B	5/8 inch Straight	129-0001	129-0002	129-0003	129-0004	
			11/16 inch Straight	129-0089	129-0090	129-0091	129-0092	
			Splined — Metric	129-0009	129-0010	129-0011	129-0012	
	M14 (2) M10 Drain Port (1)	M6 x 1 - 6H	16 mm Straight	129-0041	129-0042	129-0043	129-0044	
			18 mm Straight	129-0045	129-0046	129-0047	129-0048	
			Splined — Metric	129-0049	129-0050	129-0051	129-0052	
	G 1/4 (BSP) (2) G 1/8 (BSP) Drain Port (1)	M6 x 1 - 6H	16 mm Straight	129-0005	129-0006	129-0007	129-0008	
			18 mm Straight					
			Splined — Metric	129-0013	129-0014	129-0015	129-0016	
	End Port* Motors	G 3/8 (BSP) (2) G 1/8 (BSP) Drain Port (1)	M6 x 1 - 6H	16 mm Straight	129-0113	129-0114	129-0115	129-0116
				18 mm Straight				
				Splined — Metric	129-0141	129-0142	129-0143	129-0144
Side Port Motors	9/16-18 UNF O-ring (2) 3/8-24 UNF Drain Port (1)	1/4-28 UNF 2B	5/8 inch Straight	129-0017	129-0018	129-0019	129-0020	
			11/16 inch Straight	129-0093	129-0094	129-0095	129-0096	
			Splined — Metric	129-0029	129-0030	129-0031	129-0032	
	M14 (2) M10 Drain Port (1)	M6 x 1 - 6H	16 mm Straight	129-0053	129-0054	129-0055	129-0056	
			18 mm Straight	129-0057	129-0058	129-0059	129-0060	
			Splined — Metric	129-0061	129-0062	129-0063	129-0064	
	G 1/4 (BSP) (2) G 1/8 (BSP) Drain Port (1)	M6 x 1 - 6H	16 mm Straight	129-0025	129-0026	129-0027	129-0028	
			18 mm Straight					
			Splined — Metric	129-0037	129-0038	129-0039	129-0040	
	G 3/8 (BSP) (2) G 1/8 (BSP) Drain Port (1)	M6 x 1 - 6H	16 mm Straight	129-0021	129-0022	129-0023	129-0024	
			18 mm Straight					
			Splined — Metric	129-0033	129-0034	129-0035	129-0036	

Two Bolt Mounting Flange Kit (for 3/8 inch Mounting Bolts) — Kit Number 60552 ( includes 5 screws — 1/4-28 UNF)  
Two Bolt Mounting Flange Kit (for M8 Mounting Bolts) — Kit Number 60553 ( includes 5 screws — M6 x 1 - 6H)

\*Note: The Same Casting used for Side Ports is Required for G 3/8 (BSP) End Ports  
Availability of J Series Motors Listed without Product Numbers (on the Chart above), Contact your Eaton Representative

Eaton  
14615 Lone Oak Road  
Eden Prairie, MN 55344  
USA  
Tel: 952 937-9800  
Fax: 952 974-7722  
www.hydraulics.eaton.com

Eaton  
20 Rosamond Road  
Footscray  
Victoria 3011  
Australia  
Tel: (61) 3 9319 8222  
Fax: (61) 3 9318 5714

Eaton  
46 New Lane, Havant  
Hampshire PO9 2NB  
England  
Tel: (44) 23 92 486 451  
Fax: (44) 23 92 487 110



# Hydraulics