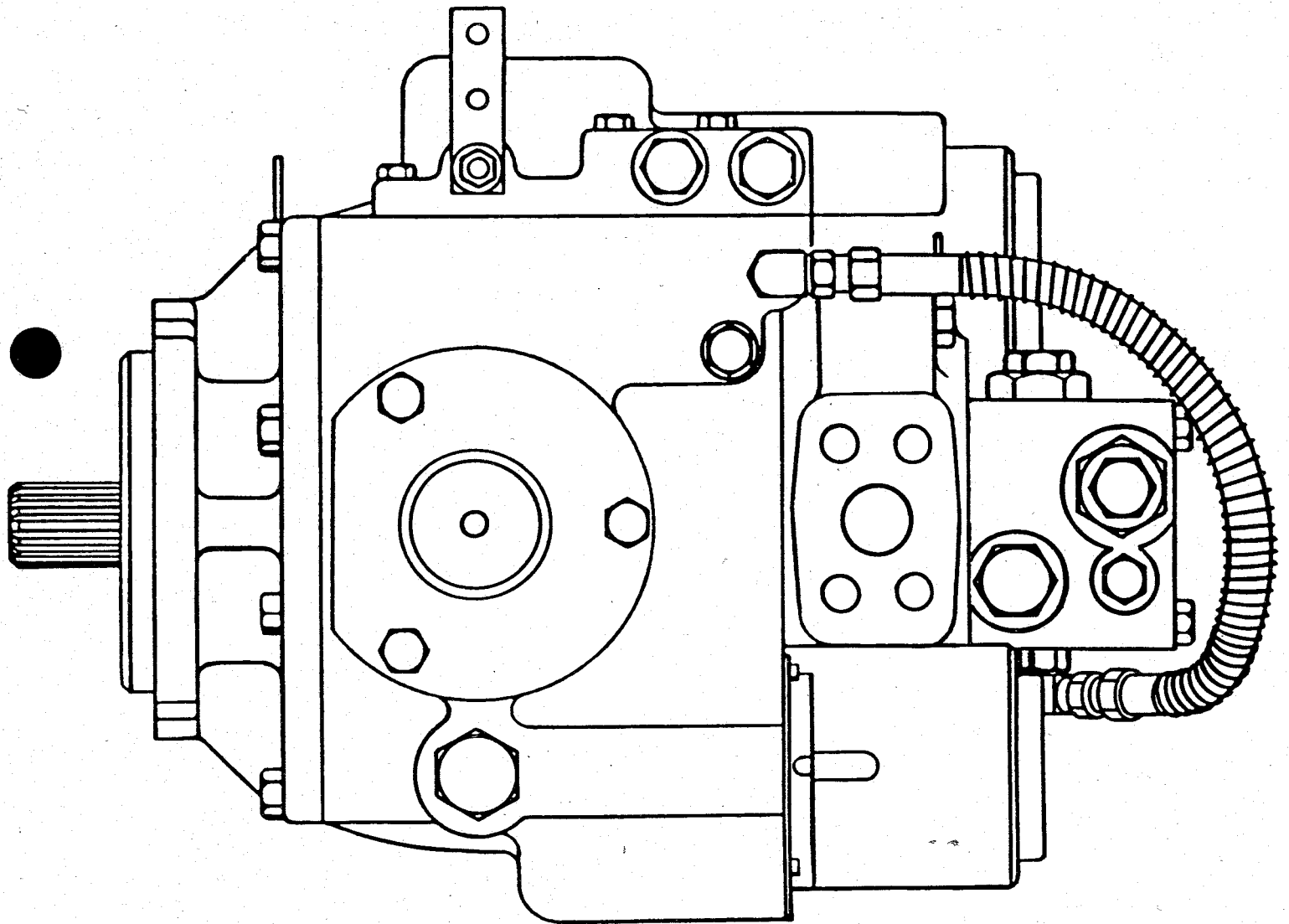


**Eaton
Hydraulics
Division**

Parts Information

Hydrostatic Variable Motors - Series 1, Models 33 - 64



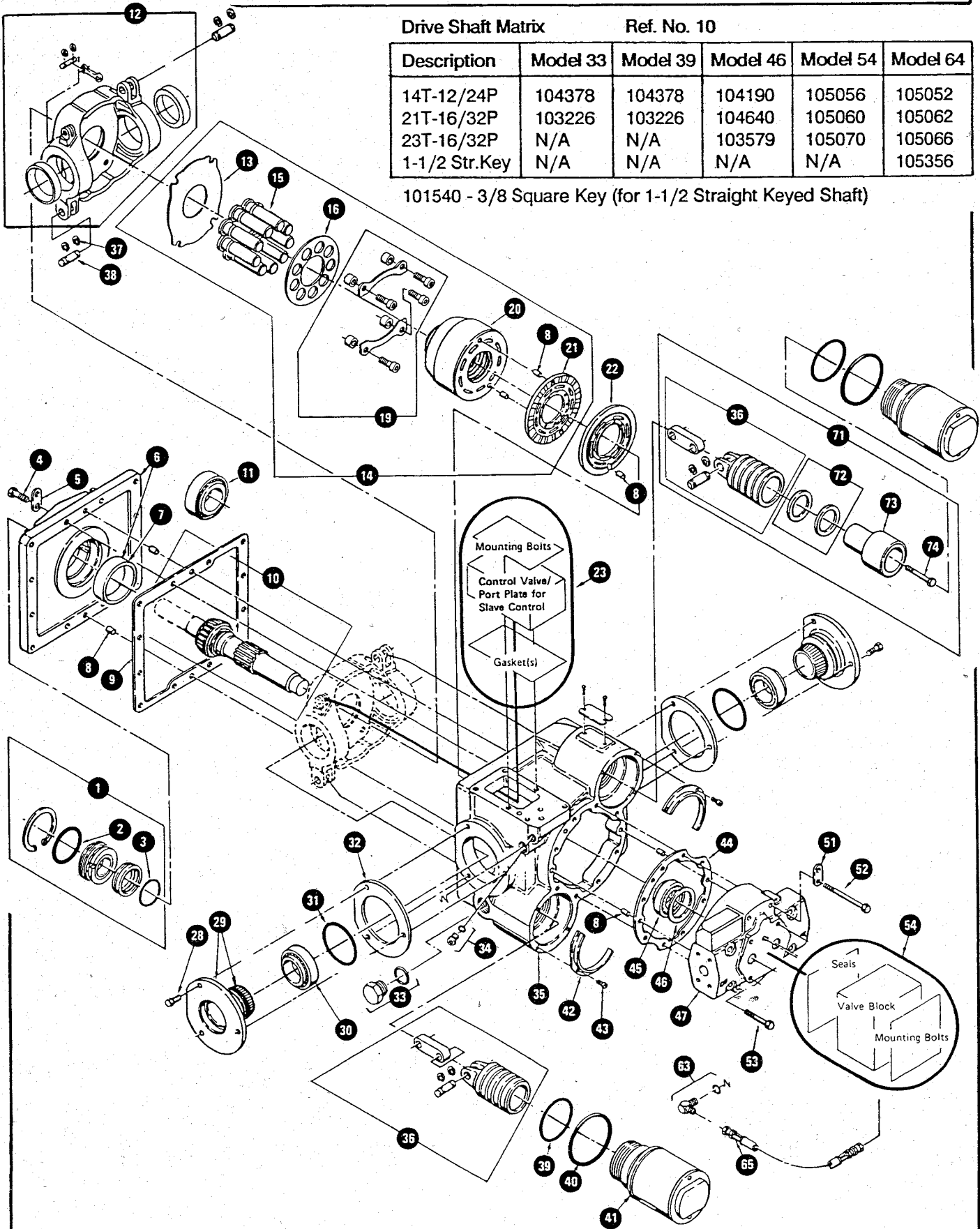
PARTS DRAWING

Drive Shaft Matrix

Ref. No. 10

Description	Model 33	Model 39	Model 46	Model 54	Model 64
14T-12/24P	104378	104378	104190	105056	105052
21T-16/32P	103226	103226	104640	105060	105062
23T-16/32P	N/A	N/A	103579	105070	105066
1-1/2 Str.Key	N/A	N/A	N/A	N/A	105356

101540 - 3/8 Square Key (for 1-1/2 Straight Keyed Shaft)



PARTS LIST

Ref. No.	Description	Qty	Model 33	Model 39	Model 46	Model 54	Model 64
1	Kit, Shaft Seal	1	990231	990231	990231	990231-000	990231
2	O-ring	1	8761-145	8761-145	8761-145	8761-145	8761-145
3	O-ring	1	104166-131	104166-131	104166-131	104166-131	104166-131
4	Bolt, Mounting Flange	12	95863-100	95863-100	95863-100	95864-125	95864-125
5	Strap, Shipping	2	96558	96558	96558	96559	96559
6	S/A, Mounting Flange	1	104207	104207	104207	103803	103803
7	Cup, Bearing	1	103232	103232	103232	103807	103807
8	Dowel	7	98202	98202	98202	98202	98202
9	Gasket, Mounting Flange	1	8828	8828	8828	8826	8826
10	S/A, Drive Shaft	1	*	*	*	*	*
11	Bearing Kit, Mounting Flange	1	990389	990389	990389	990387	990387
12	S/A, Swashplate	1	104301	104226	104226	104492	104463
13	Plate, Thrust	1	103236	103236	103236	103809	103809
14	Kit, Rotating Group	1	990426	990426	990428	990430	990432
15	S/A, Piston Slipper	9	104245	104245	104238	104308	104490
16	Plate, Slipper Retaining	1	103244	103244	104211	103853	103817
19	Kit, Series I Hold Down	1	990416	990416	990416	990417	990417
20	Kit, Cylinder Barrel	1	990412	990412	990413	990414	990414
21	Plate, Bearing	1	103241	103241	104198	103852	103814
22	Plate, Valve	1	103230	103230	104189	105104	105099
23	Option, Control	1	**	**	**	**	**
28	Bolt, Trunnion	6	95863-088	95863-088	95863-088	95864-088	95864-088
29	S/A, Trunnion	2	103982	103982	103982	23591	23591
30	Kit, Trunnion Bearing	2	990024	990024	990024	990024	990024
31	O-ring	2	8761-231	8761-231	8761-231	8761-234	8761-234
32	Shim Pack, Trunnion	2	990012	990012	990012	990013	990013
34	S/A, O-ring Plug	1	25083-004	25083-004	25083-004	25083-004	25083-004
35	Housing	1	101838	101838	101838	103805	103805
36	Servo Piston, Bottom	2	102331	102331	102331	25246	25246
37	Retaining Ring, External	4	95820-056	95820-056	95820-056	95820-056	95820-056
38	Pin, Linkage	2	95654	95654	95654	95654	95654
39	O-ring	2	8761-143	8761-143	8761-143	8761-237	8761-237
40	O-ring	2	8761-147	8761-147	8761-147	8761-237	8761-237
41	Kit, Servo Sleeve	2	990037	990037	990037	990038	990038
42	Retainer, Servo	2	95675	95675	95675	95844	95844
43	Screw, Cap	6	95890-038	95890-038	95890-038	95890-038	95890-038
44	Gasket, End Cover	1	8734	8734	8734	103042	103042
45	Kit, End Cover Bearing	1	990014	990014	990014	990016	990016
46	Shim Pack, Shaft	1	990017	990017	990017	990019	990019
47	End Cover	1	*	*	*	*	*
52	Bolt, End Cover	6	103090-275	103090-275	103090-275	103091-300	103091-300
53	Bolt, End Cover	2	103090-150	103090-150	103090-150	103091-200	103091-200
54	Option, Valve Block	1	**	**	**	**	**
63	S/A, O-ring Tube Fitting	1	25095-004	25095-004	25095-004	25095-004	25095-004
65	Assembly, Hose	1	98065	98065	98065	98065	98065
71	Servo Piston, Top w/Stops	1	102334-xxx*	102334-xxx*	102334-xxx*	25396-xxx*	25396-xxx*
72	Shim	*	*	*	*	*	*
73	Spacer, Servo Piston	1	98052	98052	98052	98044	98044
74	Bolt	1	98052	98052	98052	98044	98044

* See charts on opposite page and back page for specific part number.
 ** See separate parts list for specific part number.

Eaton Corporation **Hydraulics Division** 151st Highway S Eden Prairie, MN 55344 Telephone (612) 937-9800

Angles for Models 54 and 64 (°)	Part Number	Shims Ref.No. 72	Qty	Part No.
0-3	25396-000	98045	0	95862-150
4-6	25396-001	98045	1	95862-175
7-9	25396-002	98045	2	95862-200
10-12	25396-003	98045	3	95862-225
13-15	25396-004	98045	4	95862-250
16-18	25396-005	98045	5	95862-250

Servo Piston Tabulations for Models 54 and 64 Ref. No. 71

Angles for Models 33-39 (°) 46 (°)	Part Number	Shims Ref.No. 72	Qty	Part No.
0-2	102334-000	95053	0	95862-150
3-4	102334-001	98053	1	95862-150
4-5	102334-002	98053	2	95862-175
5-6	102334-002	98053	2	95862-175
7-8	102334-003	98053	3	95862-175
8-9	102334-004	98053	4	95862-200
9-10	102334-004	98053	4	95862-200
10-11	102334-005	98053	5	95862-200
11-12	102334-006	98053	6	95862-225
12-13	102334-006	98053	6	95862-225
13-14	102334-007	98053	7	95862-225
14-15	102334-007	98053	7	95862-250
15-16	102334-008	98053	8	95862-250
16-17	102334-008	98053	8	95862-250
17-18	102334-009	98053	9	95862-250

Servo Piston Tabulations for Models 33, 39, 46 Ref. No. 71

Code 61 - SAE Code 61, Split Flange, 3000 PSI, Drilled and Tapped for 3/8-16 UNC 2B Thread Bolt
 Code 62 - SAE Code 62, Split Flange, 6000 PSI, Drilled and Tapped for 7/16-14 UNC 2B Thread Bolt

Description Main Ports	Model 33	Model 39	Model 46	Model 54	Model 64
1 inch Code 61	101021	101021	104403	101022	105084
1 inch Code 61 w/Pressure Tap	101844	101844	104751	102846	105143
1 inch Code 61 wo/Mach. Face	101957	101957	101610	101323	105085
1 inch Code 62	104691	104691	104882	105209	105144
1 inch Code 62 w/Pressure Tap	105202	105202	102119	105168	
1 inch Code 62 wo/Mach. Face	101489	101489	101494	101494	
1 inch Code 62 w/Speed Pick-up					
1 inch O-ring					

End Cover Matrix Ref. No. 47

EACH ORDER MUST INCLUDE THE FOLLOWING INFORMATION

1. Product Number
2. Date Code
3. Part Name
4. Part Number
5. Quantity of Parts

HOW TO ORDER REPLACEMENT PARTS

EATON PARTS INFORMATION HYDROSTATIC VARIABLE MOTORS SERIES 1, MODELS 33 THRU 64 NO. 6-132