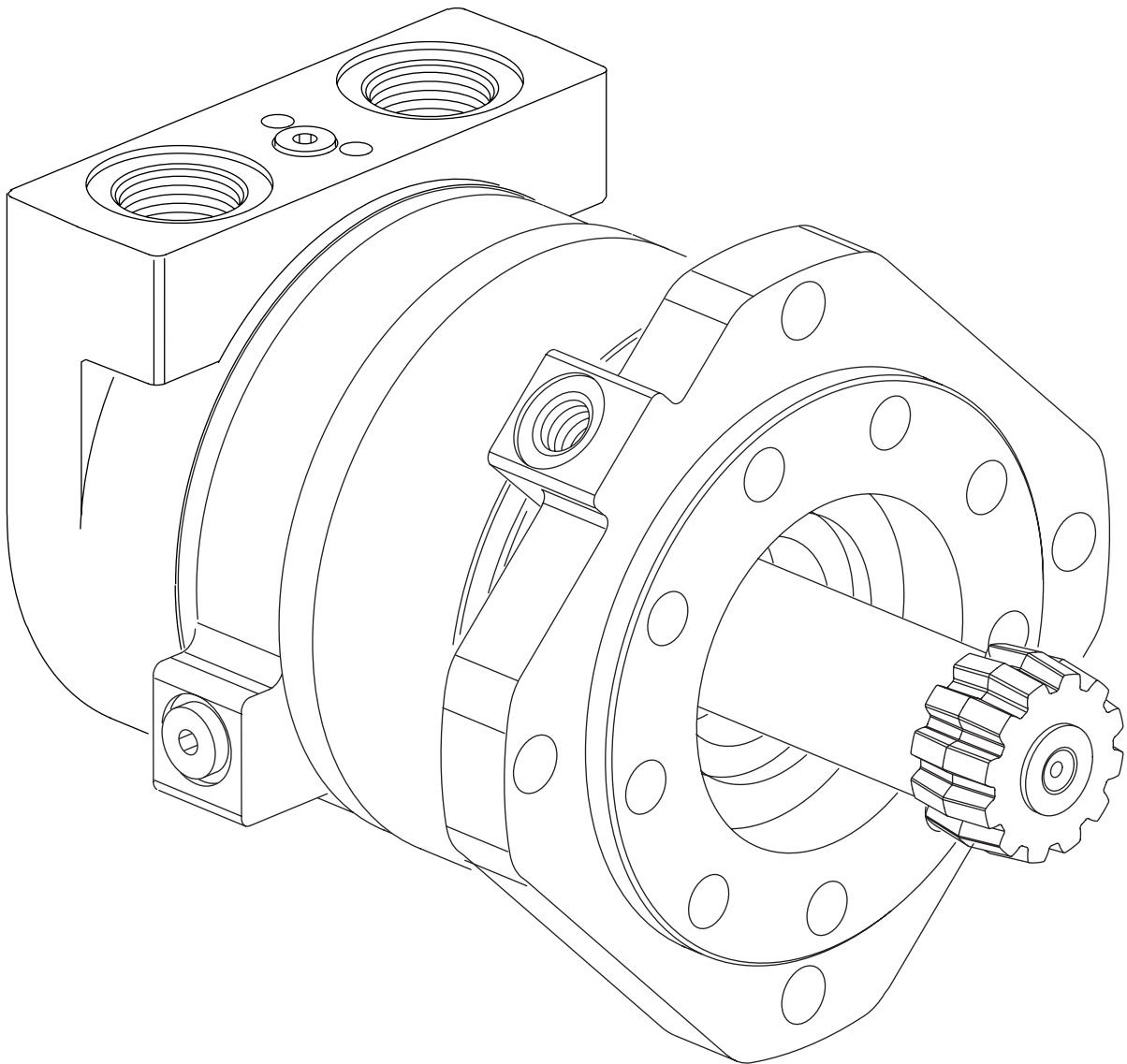
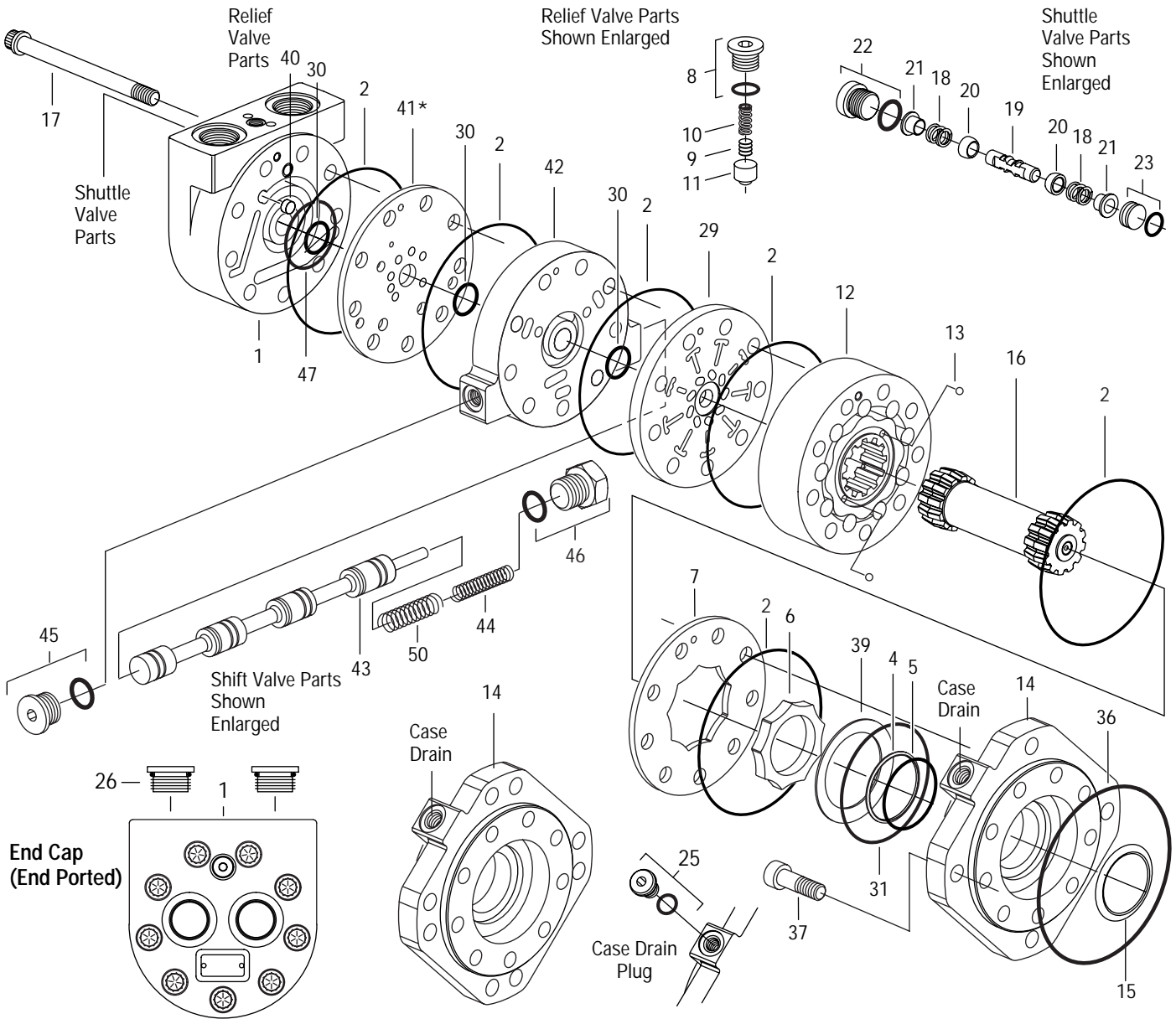




Parts Information



Parts Dwg



Displacement cm ³ /r [in ³ /r]	Ref. No. 12 Geroler®	Width mm [inch]	Ref. No. 16 Drive	Length mm [inch]	Ref. No. 17 Screw, Cap 12 Pt	Length mm [inch]
519 [31.7]	112895-002	33,1 [1.30]	201361-002	149,5 [5.89]	113388-700	177,8 [7.00]
572 [34.9]	112895-003	36,3 [1.43]	201361-003	152,8 [6.02]	113388-725	184,1 [7.25]
636 [38.8]	112895-004	40,6 [1.60]	201361-004	156,9 [6.18]	113388-725	184,1 [7.25]
803 [49.0]	112895-005	51,3 [2.02]	201361-005	167,6 [6.60]	113388-775	196,8 [7.75]
991 [60.5]	112895-006	63,2 [2.49]	201361-006	178,1 [7.07]	113388-825	209,5 [8.25]
1245 [76.0]	112895-007	79,4 [3.13]	201361-007	195,8 [7.71]	113388-900	228,6 [9.00]
1557 [95.0]	112895-008	99,2 [3.91]	201361-008	215,6 [8.49]	113388-975	247,6 [9.75]

Parts List

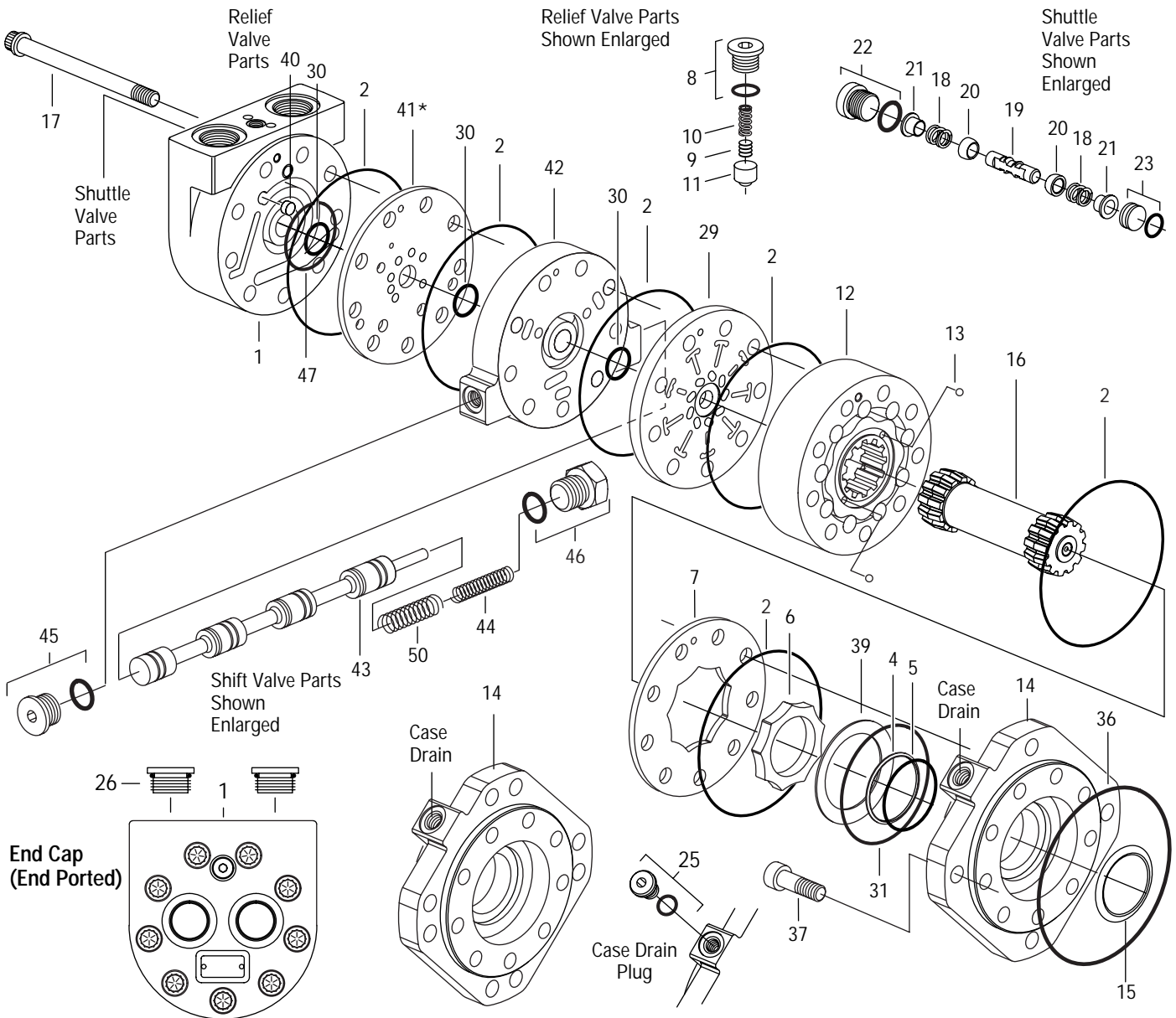
Ref. No.	Part No.	Description	Quantity
1	202949-005	End Cap Assembly 1-5/16-12 UN-2B O-ring Ports (2)	1
X 2	14559-007	Seal, Square Cut	6
X 4	14846-001	Ring, Back-up	1
X 5	14502-144	O-ring	1
6	202943-001	Plate, Balance (Inner)	1
7	202942-001	Plate, Balance (Outer)	1
8	9072-004	Plug/O-ring Sub Assembly (1/2-20 UNF-2A — 11,4 [.45] Overall Length)	1
X	250003-905	O-ring	1
9	16048-500	Shim	A/R
10	17024-024	Spring 15,6 bar [220 PSI]	1
	17024-026	Spring 13,1 bar [190 PSI]	1
11	201495-004	Poppet	1
12	*	Geroler®	1
13	285020-060	Ball	2
14	202937-001	Flange, Mounting — 4 Bolt	1
	202937-005	Flange, Mounting — 8 Bolt	1
X 15	6992-000	Seal, Face	1
16	*	Drive	1
17	*	Screw, Cap	9
18	230079-000	Spring	2
19	201494-002	Piston, Shuttle	1
20	8567-000	Poppet	2
21	112126-001	Sleeve Dash Pot	2
22	9266-006	Plug/O-ring Sub Assembly (9/16-18 UNF-2A — 14,7 [.58] Overall Length)	1
X	250003-906	O-ring	1
23	201868-001	Plug/O-ring Sub Assembly	1
X	14502-012	O-ring	1
25	9072-005	Plug/O-ring Sub Assembly	1
X	250003-906	O-ring	1
26	9072-008	Plug/O-ring Sub Assembly	2
X	250003-912	O-ring	2
	9072-010	Plug/O-ring Sub Assembly (1-5/16 - 12 UN-2A — 19,0 [.75] Overall Length)	2
X	250003-916	O-ring	2
27	285020-140	Ball	2
29	112564-001	Valve, Plate	1
X 30	14502-023	O-ring	3
X 31	14502-156	Seal	1
X 36	250001-164	O-ring (only used on Bearing/Brake Motors)	1

Continued on page 5

* See Chart on Page 2

A/R — As Required

Duplicate Parts Drawing



Displacement cm ³ /r [in ³ /r]	Ref. No. 12 Geroler®		Ref. No. 16		Ref. No. 17 Screw, Cap 12 Pt	
	Width mm [inch]		Drive	Length mm [inch]		Length mm [inch]
519 [31.7]	112895-002	33,1 [1.30]	201361-002	149,5 [5.89]	113388-700	177,8 [7.00]
572 [34.9]	112895-003	36,3 [1.43]	201361-003	152,8 [6.02]	113388-725	184,1 [7.25]
636 [38.8]	112895-004	40,6 [1.60]	201361-004	156,9 [6.18]	113388-725	184,1 [7.25]
803 [49.0]	112895-005	51,3 [2.02]	201361-005	167,6 [6.60]	113388-775	196,8 [7.75]
991 [60.5]	112895-006	63,2 [2.49]	201361-006	178,1 [7.07]	113388-825	209,5 [8.25]
1245 [76.0]	112895-007	79,4 [3.13]	201361-007	195,8 [7.71]	113388-900	228,6 [9.00]
1557 [95.0]	112895-008	99,2 [3.91]	201361-008	215,6 [8.49]	113388-975	247,6 [9.75]

Continued from page 3

Ref. No.	Part No.	Description	Quantity
37	14487-001	Screw, Internal Hex Head Cap (only used on Bearing/Brake Motors)	4
39	203196-001	Spring, Belleville Disc	1
40	23079-000	Disc	1
41	112562-001	Plate, Spacer	1
42	112551-001	Plate, Selector	1
43	112561-001	Spool, Control	1
44	112211-001	Spring, Compression	1
45	9072-014	Plug/O-ring S/A	1
X	250003-906	O-ring	1
46	9151-009	Plug/O-ring S/A	1
X	250003-906	O-ring	1
X 47	112530-036	O-ring	1
50	114587-001	Spring, Compression	1
	61327-000	Seal Kit (Complete) — parts marked with X	

VIS 45 Series Two Speed — Bearingless

How to Order Replacement Parts

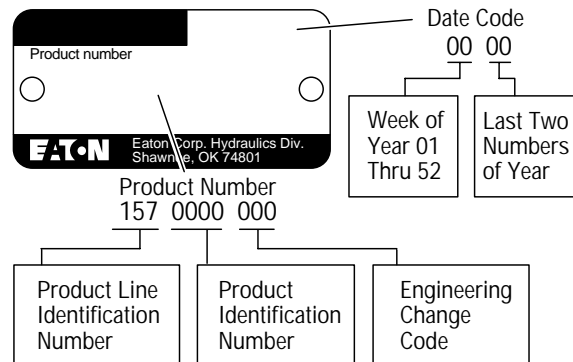
Each Order Must Include the Following:

1. Product Number
2. Date Code
3. Part Name
4. Part Number
5. Quantity of Parts

For more detailed information contact Eaton Hydraulics
14615 Lone Oak Road Eden Prairie, MN 55344.

- Specifications and performance data, Catalog 11-01-112*.
- When servicing VIS 45 Series 2 Speed bearingless motors refer to Repair Information 07-01-162. This repair manual lists tools required, and step by step disassembly and reassembly procedures.

* VIS Series Motor Catalog 11-01-112 does NOT include
VIS 45 Series Two Speed information at this printing date.



Information contained in this catalog is accurate as of the publication date and is subject to change without notice. Performance values are typical values. Customers are responsible for selecting products for their applications using normal engineering methods.

Eaton Hydraulics

14615 Lone Oak Road
Eden Prairie, MN 55344
Telephone: 952 937-7254
Fax: 952 937-7130
www.eatonhydraulics.com

46 New Lane, Havant
Hampshire PO9 2NB
England
Telephone: (44) 23 92 486 451
Fax: (44) 23 92 487 110



Quality System Certified
Products in this catalog are
manufactured in an
ISO-9001-certified site.