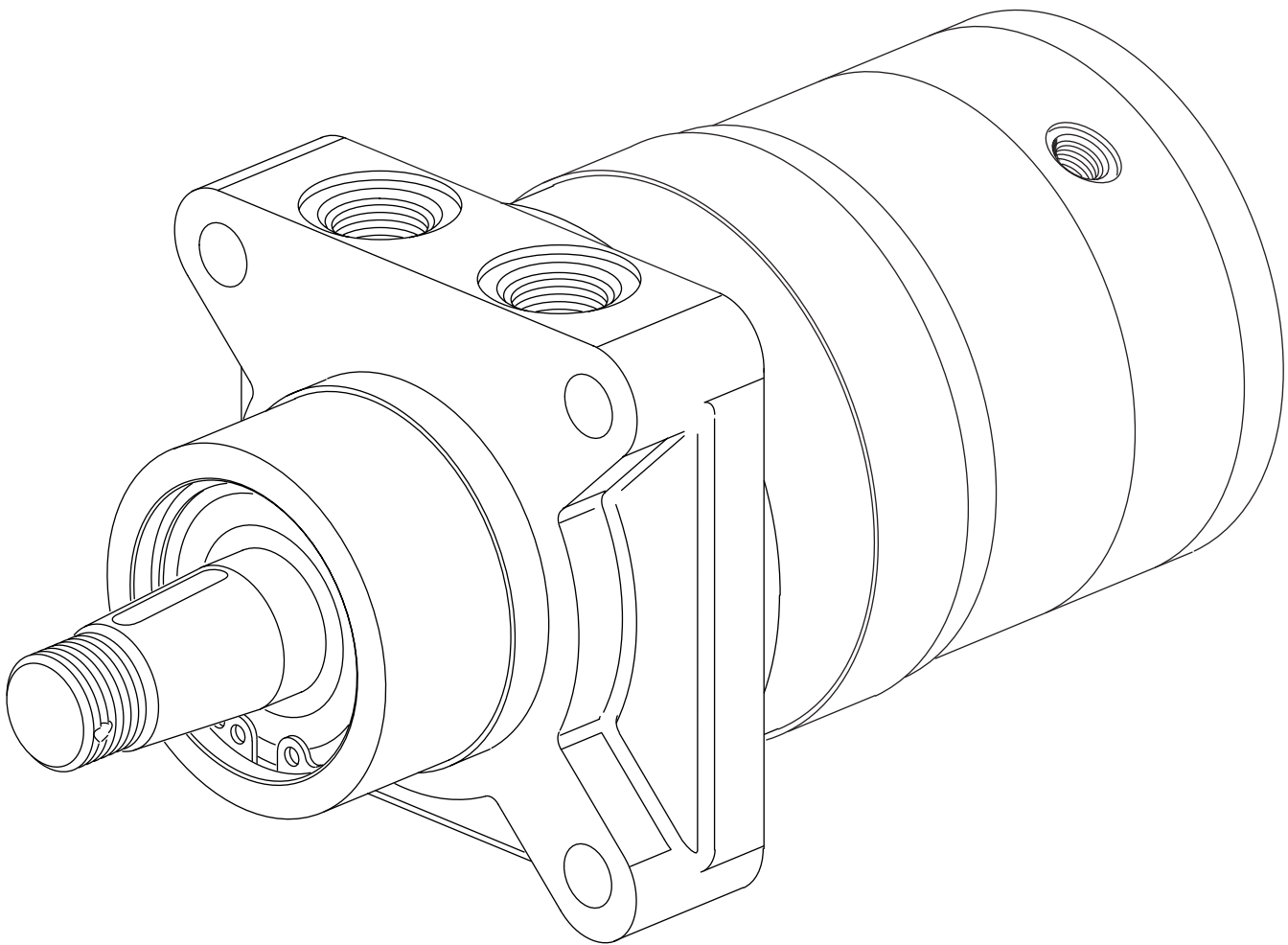


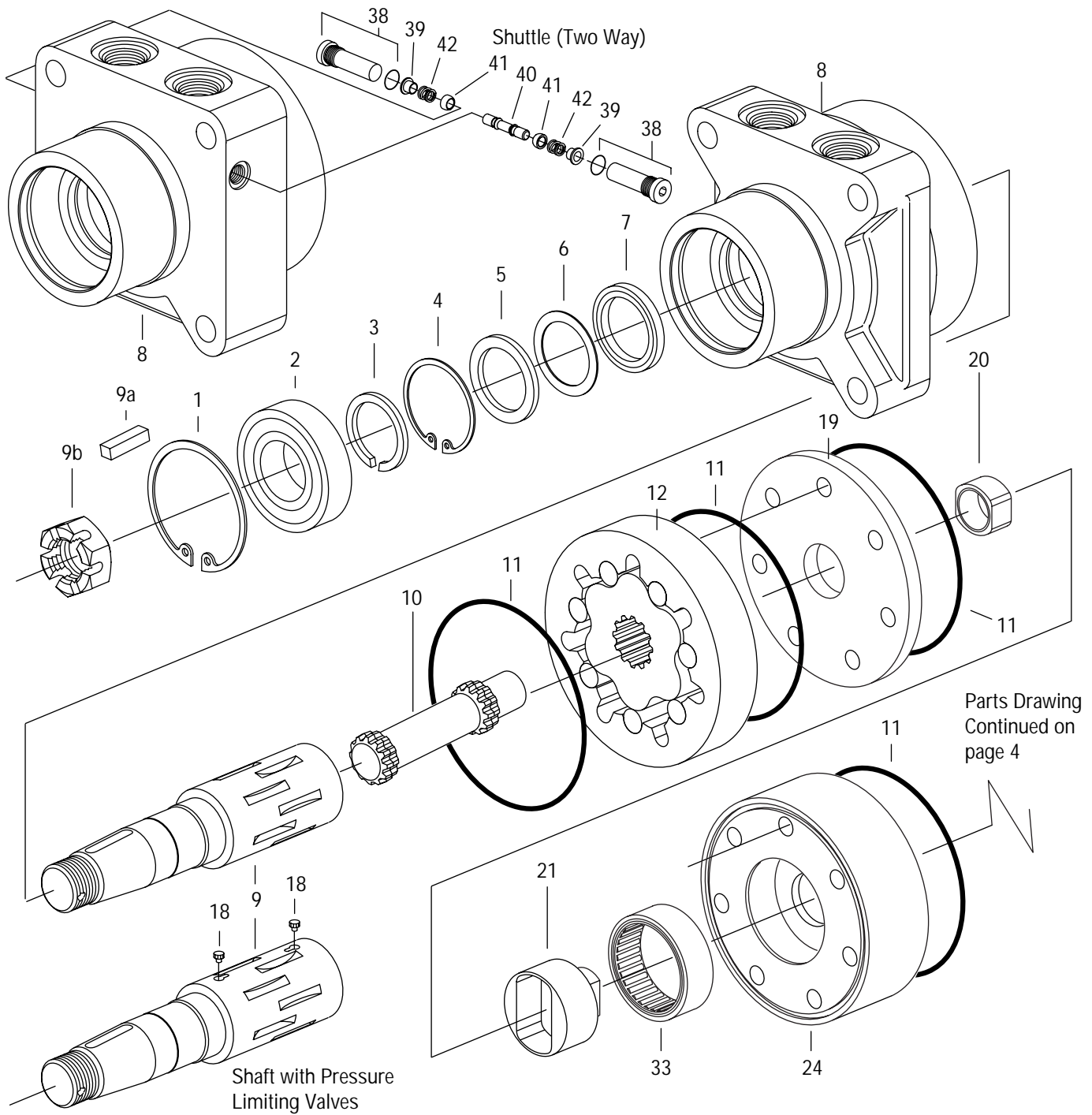


## Parts Information



**W Series Geroler® Motors  
with Parking Brake**

# W Series with Parking Brake



Output Shaft (Code No.)	Ref. No. 9 Shaft	No Check Valves (Low Speed Shaft)	Internal Check Valves (Low Speed Shaft)	No Check Valves (High Speed Shaft)	Internal Check Valves (High Speed Shaft)
(02)	1-1/4 inch Dia 14 Tooth Splined	203514-002	202525-002	202615-002	202584-002
(03)	1-1/4 inch Dia Tapered Hex Nut — 14163-000 Key — 14392-005	203514-053	202525-053	202615-053	202584-053
(04)	32mm Dia. Straight Key — 14460-005	203514-004	202525-004	202615-004	202584-004
(06)	1-1/4 inch Dia Straight Key — 14393-009	203514-006	202525-006	202615-006	202584-006

## W Series with Parking Brake

Ref. No.	Part Number	Part Number	Description	Quantity
	<b>without Shuttle Valve</b>	<b>With Shuttle Valve</b>		
1	14731-001	14731-001	Ring, Retaining	1
2	14730-001	14730-001	Bearing, Ball	1
3	14734-001	14734-001	Ring, Retaining	1
4	14733-001	14733-001	Ring, Retaining	1
5	202409-001	202409-001	Washer	1
X 6	7382-000	7382-000	Washer, Backup	1
X 7	9057-009	9057-009	Seal, Pressure	1
8	203390-001	113032-001	Housing with <b>7/8-14 UNF O-ring Ports</b>	1
	203390-002	113032-002	Housing with <b>G1/2 (BSP) Straight Thread Ports</b>	1
9	**	**	Shaft, Output	1
10	*	*	Drive	1
X 11	250002-046	250002-046	Seal	5
12	*	*	Geroler®	1
13	203092-001	203092-001	End Cap	1
14	*	*	Cap Screw, Internal Hex Head	7
18	201971-001	201971-001	Poppet (for Shaft, Output — with Internal Check Valve seats)	2
19	203089-001	203089-001	Spacer Plate	1
20	114882-001	114882-001	Drive Collar S/A	1
21	203002-001	203002-001	Shaft, Brake	1
22	203087-001	203087-001	Stationary Plate	4
23	203012-001	203012-001	Friction Pad Assembly	3
24	114979-005	114979-005	Brake Shaft Housing	1
25	203091-001	203091-001	Push Plate	1
26	203097-001	203097-001	Piston Housing <b>without</b> Case Drain	1
	203097-XXX	203097-XXX	Piston Housing with <b>7/16-20 UNF-2B O-ring Case Drain Port</b>	1
	203097-XXX	203097-XXX	Piston Housing with <b>G1/4 (BSP) Case Drain Port</b>	1
27	114980-XXX	114980-XXX	Piston	1
28	14841-001	14841-001	Spring, Belleville	1
29	14842-001	14842-001	Washer	1
X 30	14853-001	14853-001	Piston Seal	1
X 31	14502-109	14502-109	O-ring	1
X 32	250001-040	250001-040	O-ring	1
33	16341-001	16341-001	Bearing	1
36	250001-111	250001-111	O-ring	1
37	204014-001	204014-001	Bolt	1

Parts List Continued on Page 6

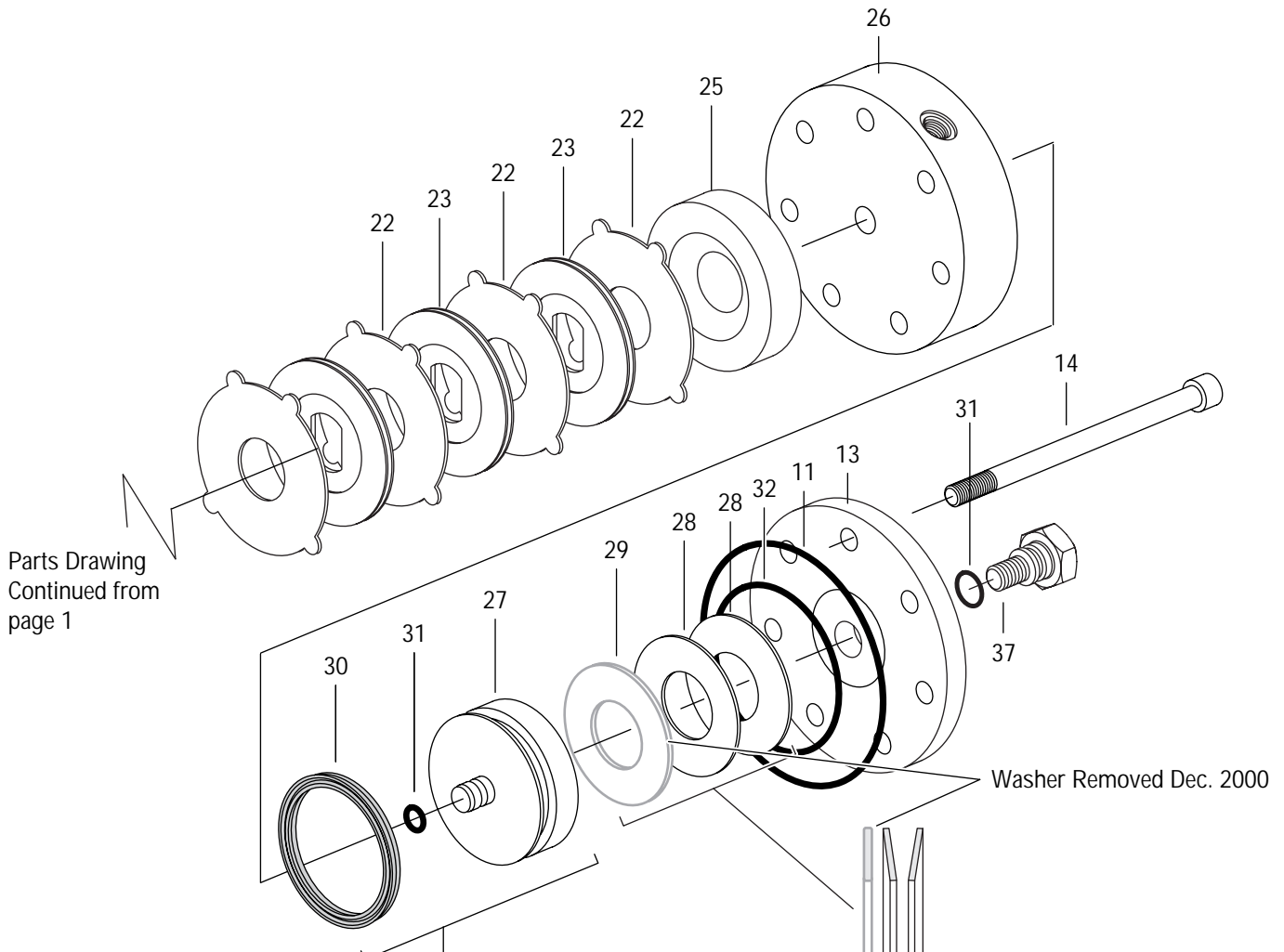
\*See Chart Ref. 14, 12, 10 Below

\*\*See Chart Ref. 9 Page 2

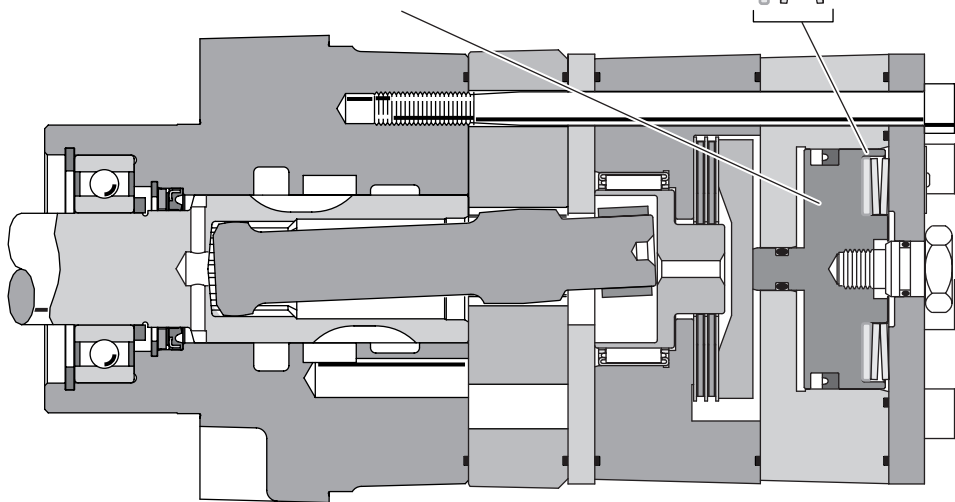
NSS Not Sold Separately

Displacement cm <sup>3</sup> /r [in <sup>3</sup> /r]	Ref. No. 14 Screw, Cap (Internal Hex)	Length mm [inch]	Ref. No. 12 Geroler®	Width mm [inch]	Ref. No. 10 Drive	Length mm [inch]
80 [ 4.9]	16319-654	139,7 [5.50]	201974-001	9,1 [ .36]	203099-002	106,2 [4.18]
126 [ 7.7]	16319-654	139,7 [5.50]	201974-002	11,9 [ .47]	203099-003	109,0 [4.29]
154 [ 9.4]	16319-656	146,0 [5.75]	201974-003	14,7 [ .58]	203099-004	111,7 [4.40]
195 [11.9]	16319-656	146,0 [5.75]	201974-004	18,5 [ .73]	203099-005	115,2 [4.54]
251 [15.3]	16319-660	152,4 [6.00]	201974-005	23,9 [ .94]	203099-001	121,0 [4.76]
303 [18.5]	16319-660	152,4 [6.00]	201974-006	29,0 [1.14]	203099-007	126,0 [4.96]
374 [22.8]	16319-664	165,1 [6.50]	201974-007	35,6 [1.40]	203099-008	132,2 [5.20]

# W Series with Parking Brake



**Note:** Special Tool is required for Piston/Housing Installation — Tool. No. 600705)



# W Series with Parking Brake

Duplicate part list — same as page 3

Ref. No.	Part Number	Part Number	Description	Quantity
	<b>without Shuttle Valve</b>	<b>With Shuttle Valve</b>		
1	14731-001	14731-001	Ring, Retaining	1
2	14730-001	14730-001	Bearing, Ball	1
3	14734-001	14734-001	Ring, Retaining	1
4	14733-001	14733-001	Ring, Retaining	1
5	202409-001	202409-001	Washer	1
X 6	7382-000	7382-000	Washer, Backup	1
X 7	9057-009	9057-009	Seal, Pressure	1
8	203390-001	113032-001	Housing with <b>7/8-14 UNF O-ring Ports</b>	1
	203390-002	113032-002	Housing with <b>G1/2 (BSP) Straight Thread Ports</b>	1
9	**	**	Shaft, Output	1
10	*	*	Drive	1
X 11	250002-046	250002-046	Seal	5
12	*	*	Geroler®	1
13	203092-001	203092-001	End Cap	1
14	*	*	Cap Screw, Internal Hex Head	7
18	201971-001	201971-001	Poppet (for Shaft, Output — with Internal Check Valve seats)	2
19	203089-001	203089-001	Spacer Plate	1
20	114882-001	114882-001	Drive Collar S/A	1
21	203002-001	203002-001	Shaft, Brake	1
22	203087-001	203087-001	Stationary Plate	4
23	203012-001	203012-001	Friction Pad Assembly	3
24	114979-005	114979-005	Brake Shaft Housing	1
25	203091-001	203091-001	Push Plate	1
26	203097-001	203097-001	Piston Housing <b>without</b> Case Drain	1
	203097-XXX	203097-XXX	Piston Housing with <b>7/16-20 UNF-2B O-ring Case Drain Port</b>	1
	203097-XXX	203097-XXX	Piston Housing with <b>G1/4 (BSP) Case Drain Port</b>	1
27	114980-XXX	114980-XXX	Piston	1
28	14841-001	14841-001	Spring, Belleville	1
29	14842-001	14842-001	Washer	1
X 30	14853-001	14853-001	Piston Seal	1
X 31	14502-109	14502-109	O-ring	1
X 32	250001-040	250001-040	O-ring	1
33	16341-001	16341-001	Bearing	1
36	250001-111	250001-111	O-ring	1
37	204014-001	204014-001	Bolt	1

Parts List Continued on Page 6

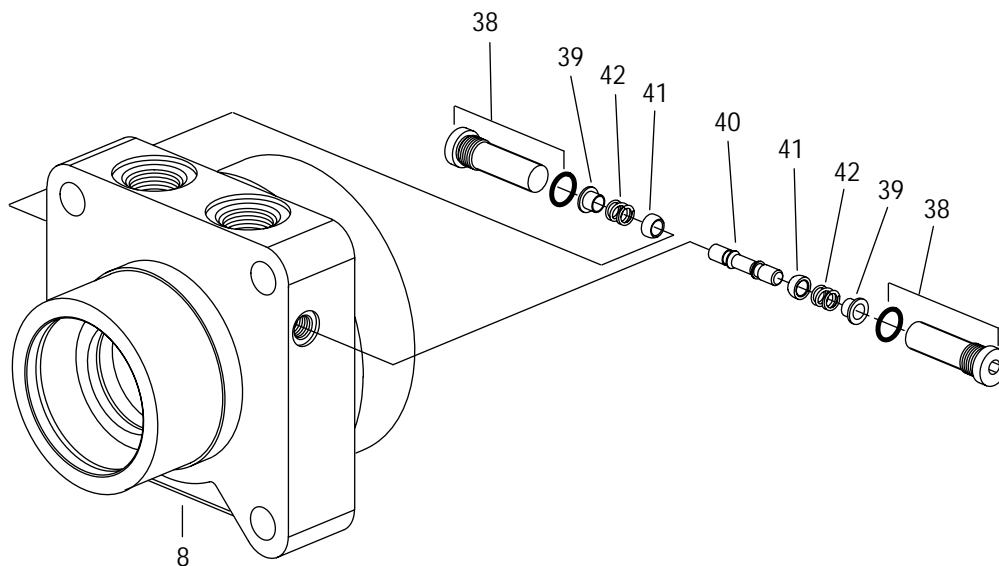
\*See Chart Ref. 14, 12, 10 Below

\*\*See Chart Ref. 9 Page 2

NSS Not Sold Separately

Displacement cm <sup>3</sup> /r [in <sup>3</sup> /r]	Ref. No. 14 Screw, Cap (Internal Hex)	Length mm [inch]	Ref. No. 12 Geroler®	Width mm [inch]	Ref. No. 10 Drive	Length mm [inch]
80 [ 4.9]	16319-654	139,7 [5.50]	201974-001	9,1 [ .36]	203099-002	106,2 [4.18]
126 [ 7.7]	16319-654	139,7 [5.50]	201974-002	11,9 [ .47]	203099-003	109,0 [4.29]
154 [ 9.4]	16319-656	146,0 [5.75]	201974-003	14,7 [ .58]	203099-004	111,7 [4.40]
195 [11.9]	16319-656	146,0 [5.75]	201974-004	18,5 [ .73]	203099-005	115,2 [4.54]
251 [15.3]	16319-660	152,4 [6.00]	201974-005	23,9 [ .94]	203099-001	121,0 [4.76]
303 [18.5]	16319-660	152,4 [6.00]	201974-006	29,0 [1.14]	203099-007	126,0 [4.96]
374 [22.8]	16319-664	165,1 [6.50]	201974-007	35,6 [1.40]	203099-008	132,2 [5.20]

# W Series with Parking Brake



Ref. No.	Part Number	Part Number	Description	Quantity
	<b>without Shuttle Valve</b>	<b>With Shuttle Valve</b>		
38	—	9293-001	Plug/O-ring S/A	2
		250003-906	O-ring	2
39	—	8755-000	Sleeve, Dash Pot	2
40	—	8566-000	Piston Shuttle	1
41	—	8567-000	Poppet	2
42	—	230079-000	Spring	2
	60577-000	Seal Kit — Contains Parts Indicated by X		

# W Series with Parking Brake

Notes: \_\_\_\_\_

\_\_\_\_\_

\_\_\_\_\_

\_\_\_\_\_

\_\_\_\_\_

\_\_\_\_\_

\_\_\_\_\_

\_\_\_\_\_

\_\_\_\_\_

\_\_\_\_\_

\_\_\_\_\_

\_\_\_\_\_

\_\_\_\_\_

\_\_\_\_\_

\_\_\_\_\_

\_\_\_\_\_

\_\_\_\_\_

\_\_\_\_\_

\_\_\_\_\_

\_\_\_\_\_

\_\_\_\_\_

\_\_\_\_\_

\_\_\_\_\_

# W Series with Parking Brake

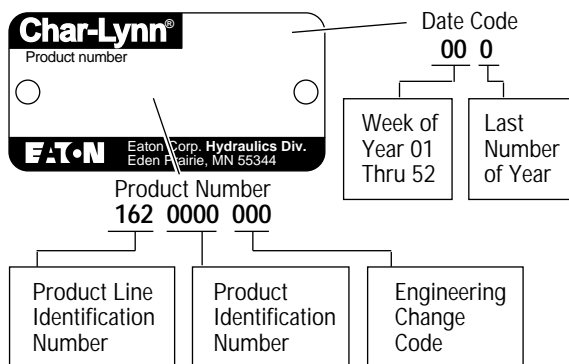
## How to Order Replacement Parts

### Each Order Must Include the Following:

- |                   |                      |
|-------------------|----------------------|
| 1. Product Number | 4. Part Number       |
| 2. Date Code      | 5. Quantity of Parts |
| 3. Part Name      |                      |

For More Detailed Information Contact Eaton Hydraulics  
14615 Lone Oak Road Eden Prairie, MN 55344.

- Specifications and performance data, Catalog 10-01-109
- When servicing W Series with parking brake refer to Repair Information 07-01-158. This repair manual lists tools required, and step by step disassembly and reassembly procedures.



Information contained in this catalog is accurate as of the publication date and is subject to change without notice. Performance values are typical values. Customers are responsible for selecting products for their applications using normal engineering methods.

### Eaton Hydraulics

14615 Lone Oak Road  
Eden Prairie, MN 55344  
Telephone: 952 937-7254  
Fax: 952 937-7130  
www.eatonhydraulics.com

46 New Lane, Havant  
Hampshire PO9 2NB  
England  
Telephone: (44) 23 92 486 451  
Fax: (44) 23 92 487 110



**Quality System Certified**  
Products in this catalog are  
manufactured in an  
ISO-9001-certified site.